

REVISION:

THIS DRAWING HAS BEEN PREPARED FOR THE EXPRESS PURPOSE OF OUTLINING AND SPECIFYING THE DESIGN REQUIREMENTS OF OUR SUBSEQUENT PROPOSAL. THIS DRAWING MAY NOT BE REPRODUCED WITHOUT THE EXPRESS WRITTEN CONSENT OF MODULAR GENIUS, INC.

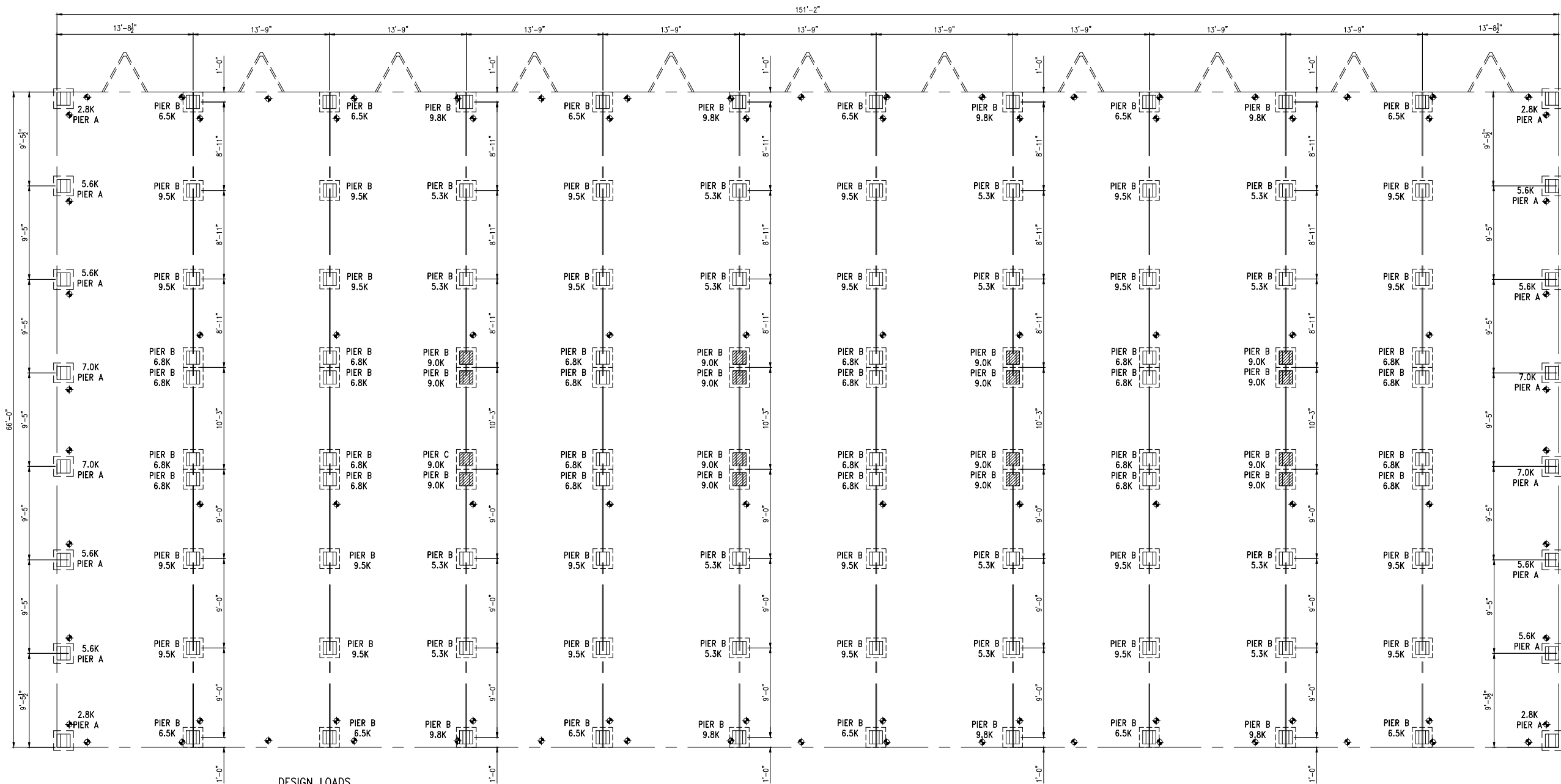
**STANDARD 10
CLASSROOM RR**



**Modular
Genius**
SMART BUILDING

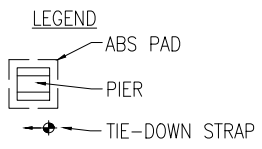
**FLOOR
PLAN**

DESIGNED: 10/11/22	DRAWN BY: HAS
SERIAL #: STD	SCALE: N.T.S.
PRINTED: 10/11/22 10:11AM	DRAWING #: A1
APPROVED BY:	



DESIGN LOADS
 FLOOR LIVE LOAD 40 PSF
 CORRIDOR FLOOR LIVE LOAD 100 PSF
 FLOOR DEAD LOAD 12 PSF
 ROOF LIVE LOAD 30 PSF
 FLAT ROOF SNOW LOAD 30 PSF
 GROUND SNOW LOAD 35 PSF
 ROOF DEAD LOAD 13 PSF
 ULTIMATE DESIGN WIND SPEED (Vult)
 120 MPH EXPOSURE C
 NOMINAL DESIGN WIND SPEED (Vasd) 93 MPH
 SEISMIC DESIGN CATEGORY C,
 RISK CATEGORY III (OVER 250 OCCUPANTS)
 Sds 0.138, Sd1 0.083, SITE CLASS D (ASCE 7-16)
 BASED ON 2500 PSF SOIL/ASPHALT
 2018 IBC CODE

FOUNDATION PLAN



REVISION:
 THIS DRAWING HAS BEEN PREPARED FOR THE EXPRESS PURPOSE OF OUTLINING AND SPECIFYING THE DESIGN REQUIREMENTS OF OUR SUBSEQUENT PROPOSAL. THIS DRAWING MAY NOT BE REPRODUCED WITHOUT THE EXPRESS WRITTEN CONSENT OF MODULAR GENIUS, INC.

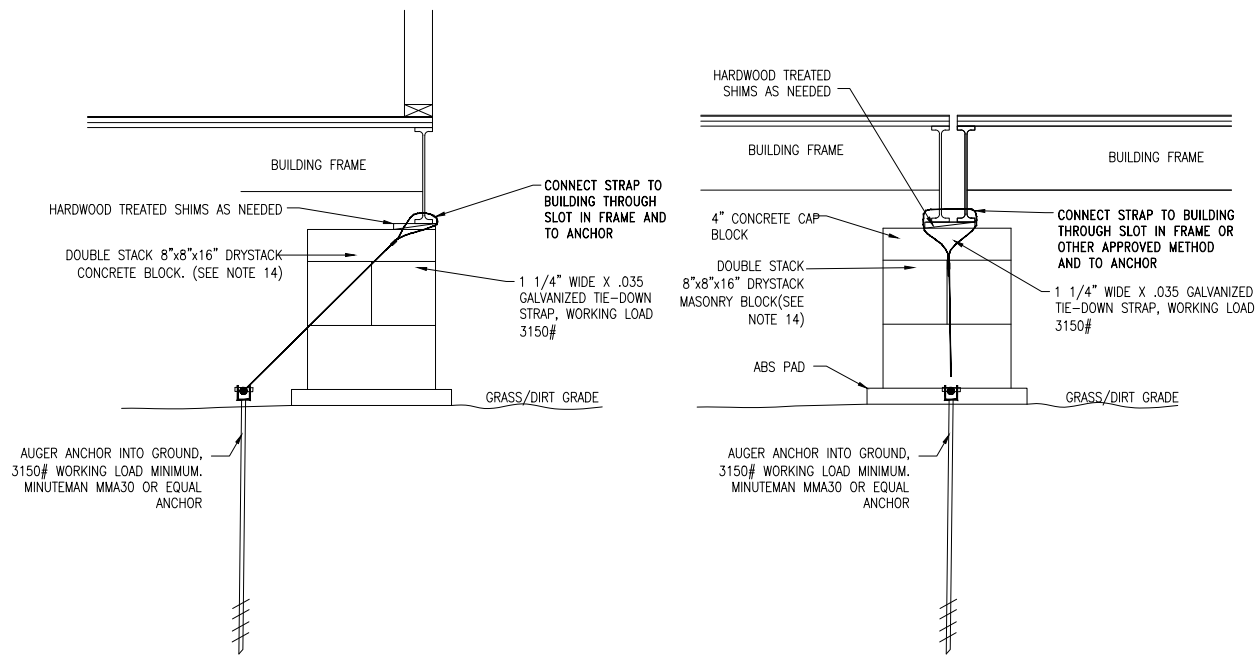
STANDARD 10 CLASSROOM RR



**Modular
Genius**
 SMART BUILDING

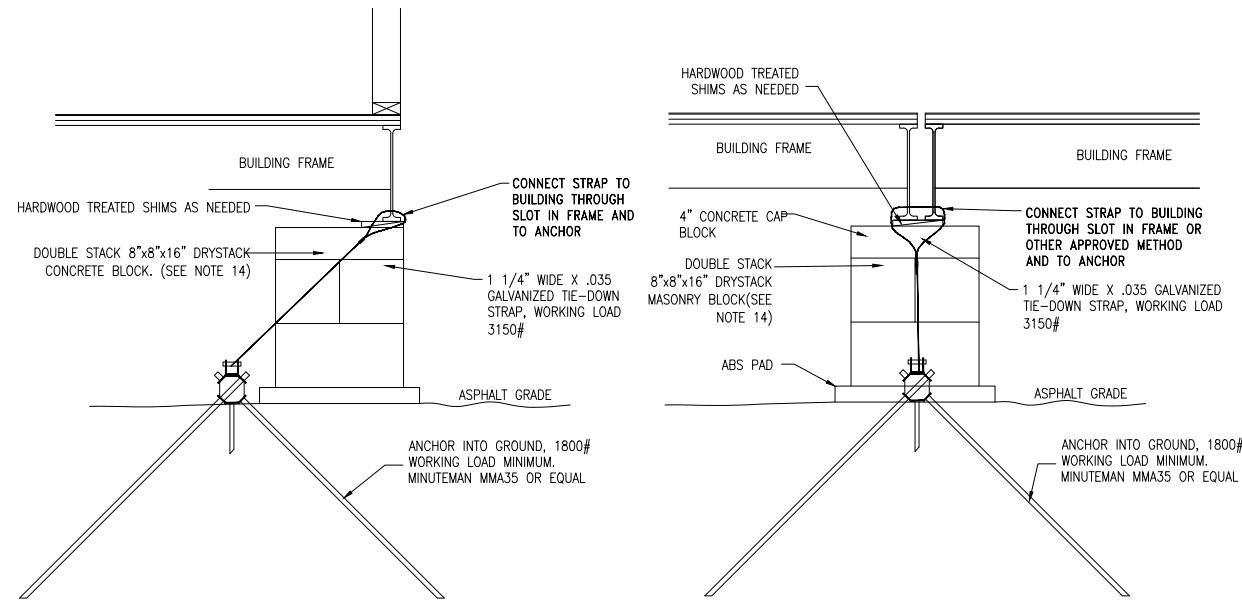
FOUNDATION PLAN

DESIGNED: 10/11/22	DRAWN BY: HAS
SERIAL #: STD	SCALE: N.T.S.
PRINTED: 10/11/22 10:11AM	DRAWING #: S1
APPROVED BY:	



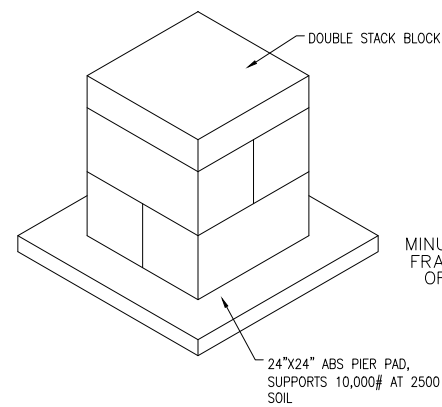
PIER A AT PERIMTER ON GRASS/DIRT

PIER DETAIL "B" AT MATE LINE ON GRASS/DIRT

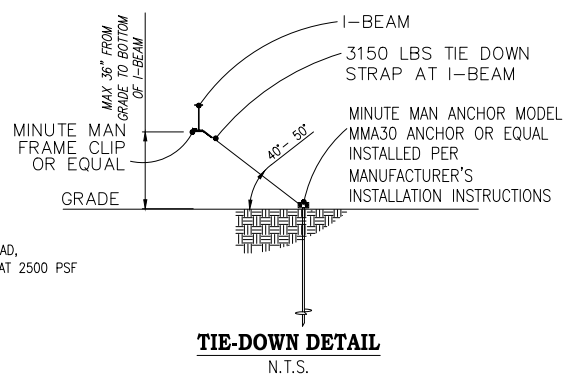


PIER A AT PERIMTER ON ASPHALT

PIER DETAIL "B" AT MATE LINE ON ASPHALT



PIER DETAIL A



TIE-DOWN DETAIL
N.T.S.

PIER PAD FOUNDATION NOTES:

1. ALL FOUNDATION CONSTRUCTION, MATERIALS, AND INSTALLATION SHALL BE IN ACCORDANCE WITH ALL APPLICABLE STATE AND LOCAL CODES
2. TIE-DOWN STRAPS TO BE 1-1/4"X.035" GALVANIZED STEEL FEDERAL SPECIFICATION QQS-871-H TYPE-1, FINISH-B, GRADE-1. TIE-DOWN STRAPS AND CONNECTING HARDWARE SHALL HAVE A WORKING CAPACITY OF 3150#. TESTED LOAD OF 4725#
3. ALL TIE DOWN ANCHORS SHALL HAVE A MINIMUM WORKING LOAD 3,150# CAPACITY AND SHALL BE INSTALLED PER THEIR MANUFACTURER'S SPECIFICATIONS. THE TYPE OF GROUND ANCHOR, INCLUDING SHAFT LENGTH, NUMBER AND DIAMETER OF HELICES, ETC. TO BE SPECIFIED BY THE GROUND ANCHOR MANUFACTURER FOR THE ACTUAL SOIL TYPE THAT IS ENCOUNTERED AT THE SITE.
4. SEE FOUNDATION PLAN FOR LOCATION AND SPACING OF TIE-DOWNS
5. ALL PIERS SHALL BE CONSTRUCTED OF CONCRETE MASONRY UNITS CONFORMING TO ASTM 90 FOR COMPRESSION AND ASTM C140 FOR ABSORPTION. BLOCKS TO BE HOLLOW NORMAL WEIGHT FOR PIERS (2000 PSF NET COMPRESSION) AND SOLID NORMAL WEIGHT FOR CAPS AND SOLIDS. YORK PRODUCTS OR EQUAL, SEE ATTACHED TEST REPORTS. MASONRY UNITS MAY BE DRYSTACK (10.7K MAXIMUM) OR LAID IN TYPE M OR S MORTAR OR COVERED WITH SURFACE BONDING CEMENT INSTALLED IN ACCORDANCE WITH ITS LISTING. PIER FOOTINGS SHALL BE A DESCRIBED ABOVE.
6. ALL PIERS ON THE ASPHALT SURFACE SHALL BE 8X8X16 DOUBLE DRY STACK
7. MINIMUM SOIL BEARING CAPACITY IS 2,500 PSF AS APPROVED BY COUNTY FOR USE ON ASPHALT, AND GEOTECH REPORT OF 3,000 PSF
8. INSURE THAT ALL GRASS, LOOSE DEBRIS, ETC. ARE REMOVED FROM UNDER THE BUILDING, AND THAT THE GROUND IS LEVELED WITHIN 6" AND FIRMLY COMPACTED.
9. SEE THIS SHEET FOR DESIGN LOADS
10. TREATED WOOD SHIMS MAY BE INSTALLED WHEN NECESSARY BETWEEN THE MODULAR STEEL FRAME AND THE TOP OF THE PIER. SHIMS SHALL BE FREE OF KNOTS, CHECKS, SPLITS, AND SIMILAR IMPERFECTIONS. SHIMS SHALL BE OF P.T. LUMBER OR CEDAR AND BEARING AT ALL CONTACT POINTS AND SHALL NOT BE LESS THAN 2/3 OF THE BEARING PRIOR TO ADDING SHIMS.
11. MASONRY PIERS MAY BE INSTALLED IN A DRY STOCK SUBJECT TO LOCAL JURISDICTION AND APPROVAL
12. STRUCTURAL MATE LINE CONNECTIONS ARE TO BE MADE ACCORDING TO THE APPROVED MANUFACTURERS INSTRUCTIONS OR AS APPROVED BY THE LOCAL AUTHORITY HAVING JURISDICTION.
13. OVERALL WIDTH DIMENSION IS NOMINAL WITH 1" GROWTH ALLOWED FOR BETWEEN UNITS AND IS BASED ON UNIT WIDTH X NUMBERS OF MODULES. ACTUAL OVERALL WIDTH MAY INCREASE DUE TO SITE CONDITIONS AND MATERIAL TOLERANCES. FAILURE TO REMOVE CLOSE-UP MATERIAL AND/OR OTHER FACTORS BEYOND THE CONTROL OF THE BUILDING MANUFACTURER.
14. PIERS SHALL BE DOUBLE DRY STACK PIERS ARE LIMITED FROM 0" TO 54". FROM 54" TO 66" ARE REQUIRED TO HAVE SURFACE BONDING TO (ALL PIERS OVER 66" HIGH WILL REQUIRE SEPARATE ENGINEERING TO BE COMPLETED)
15. HERE REQUIRED BY LOCAL JURISDICTION ALL MASONRY PIERS MAY BE LAID IN TYPE "M" OR "S" MORTAR IN COMPLIANCE W/ASTM C887, OR SHALL HAVE SURFACE BONDING MORTAR IN COMPLIANCE W/ASTM C 946

REVISION:

THIS DRAWING HAS BEEN PREPARED FOR THE EXPRESS PURPOSE OF OUTLINING AND SPECIFYING THE DESIGN REQUIREMENTS OF OUR SUBSEQUENT PROPOSAL. THIS DRAWING MAY NOT BE REPRODUCED WITHOUT THE EXPRESS WRITTEN CONSENT OF MODULAR GENIUS, INC.

STANDARD 10
CLASSROOM RR



**Modular
Genius**
SMART BUILDING

FOUNDATION
DETAILS

DESIGNED: 10/11/22	DRAWN BY: HAS
SERIAL #: STD	SCALE: 1/2"=1'-0"
PRINTED: 10/11/22 10:11AM	DRAWING #: S2
APPROVED BY:	