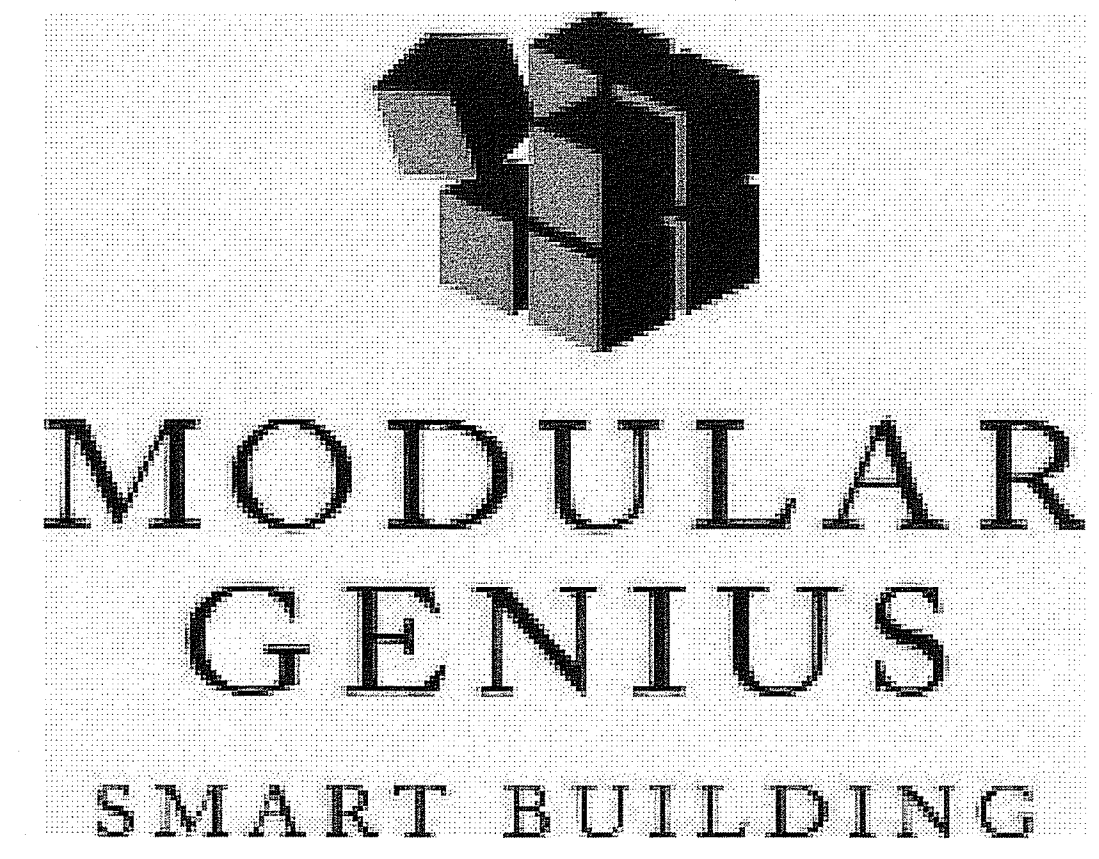


Kevin M. Finn, P.E., Inc.
 Jeffrey R. Walton Jr., P.E.
 815 Waterbury Park Dr.
 Elkhart, IN 46517
 NH Lic. # 10335



CLEAR SPAN OUTFITTING

SITE ADDRESS

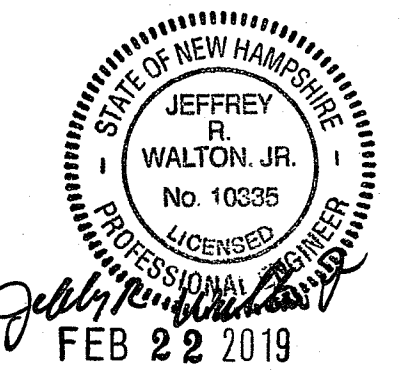
PEASE AIR NATIONAL GUARD
 BUILDING #264
 NEWMARKET STREET
 PORTSMOUTH, NH 03801

INDEX

C1.0	COVER SHEET
A0.0	SPECIFICATIONS
A1.0	EXTERIOR ELEVATIONS
A2.0	FOUNDATION PLAN
A2.1	FLOOR PLAN
A3.1	REFLECTED CEILING PLAN
E2.1	ELECTRICAL PLAN
E3.1	LIGHTING PLAN
E7.0	ELECTRICAL SCHEDULES
M2.1	MECHANICAL PLAN
S1.1	FRAME PLAN
S2.1	CROSS SECTION
S2.2	FRAME DETAILS
S3.1	FLOOR FRAMING PLAN
S4.1	ROOF FRAMING PLAN

DESIGN CRITERIA:

BU	2009 IBC WITH NH STATE AMENDMENTS
ME	2009 IMC WITH NH STATE AMENDMENTS
PL	2009 IPC WITH NH STATE AMENDMENTS
EL	2017 NPFA 70 NEC WITH STATE AMENDMENTS
EN	2009 IECC WITH NH STATE AMENDMENTS
FR	SAF-C 600 (2009 NFPA)
FG	2009 NFGC
AC	2009 IBC WITH NH STATE AMENDMENTS
LS	2015 NFPA



WHITLEY MANUFACTURING INC.
 201 WEST FIRST STREET
 SOUTH WHITLEY, INDIANA 46787-0496
 260-723-5131

APPROVED
 APPROVED AS NOTED
 RETURN FOR CORRECTION

BY: _____
 DATE: _____

UPON APPROVAL, THESE DRAWINGS
 WILL TAKE PRECEDENCE OVER ALL
 PREVIOUS DRAWINGS FOR THIS
 PROJECT

No.	Description	Date	No.	Description	Date

THIS DRAWING AND ALL INFORMATION
 CONTAINED HEREON IS THE
 PROPERTY OF WHITLEY MFG. CO. INC.,
 AND IS NOT TO BE REPRODUCED
 WITHOUT THE EXPRESS PERMISSION
 OF WHITLEY MFG. CO. INC.
 WHITLEY MFG. CO. INC. ASSUMES NO
 RESPONSIBILITY FOR UNAUTHORIZED
 USE OF THIS DRAWING.



Whitley East, LLC
 64 HESS ROAD
 LEOLA, PA 17540
 PHONE: 717.656.2081
 www.whitleyman.com

Drawn By: EP
 Checked By: MR
 Rev:

COVER SHEET
CLEAR SPAN OUTFITTING
MGI
(7) 11'-9" x 64'-0" MODULES

Serial No.	1871-72, 1874-78	Date:	11-12-18
Quote No.	18-0237	Scale:	1/4" = 1'-0"
Model No.	7495	Page No.	C1.0
Job No.	2018-055-WP		

2/2/2019 3:07:18 PM

MODEL NUMBER: 7495
 MODEL SIZE: 64x84 (11'-9" x 60'-0" BOX)
 NOTE: REFER TO HEXAGON SYMBOLS ON DRAWINGS
 APPROX. MODULE SHIPPING HEIGHT (PEAK OF ROOF): 13'-6"

A-FRAME
 1 TYPE: PERIMETER
 2 MAIN BEAM: W12x14#
 3 X-MEMBER: W8x10# @ 48" (NOM.) O.C.
 3a X-MEMBER: SINGLE W8x10# BEAM AS HITCH MOUNT CROSS-MEMBER
 NOTE: CROSS-MEMBERS FLUSH W/TOP OF MAIN RAILS.
 NOTE: INSTALL 4" x 12" L. BLOCKING SPACER ALONG SIDE WALL MAIN RAILS; SEE DRAWINGS FOR LOCATIONS, WELD TO CROSS-MEMBERS AND TO INBOARD BOTTOM FLANGE
 SET SPRING HANGER LONGITUDINAL RAILS AT 74" O.C. TO CLEAR TIRES
 REINFORCE WEB ABOVE HANGER W/ 1/4" PLATE, OR 3/16" ANGLE
 NOTCH TRANSVERSE WHEELBOX MEMBERS TO PROVIDE TIRE CLEARANCE AS REQ'D.
 5 HITCH: BOLT-ON, W8x10 # RAILS
 6 AXLES: FIVE - 75 1/2" SPRING CENTER (92" TRACK), LEADING TANDEM; TRAILING TRIPLE
 7 SPRINGS: MULTILEAF, UNDERSLUNG
 8 TIRES: 8.00 X 14.5, 12 PLY
 9 TIE DOWN: OVER THE FRAME
 NOTE: PROVIDED & INSTALLED BY OTHERS ON SITE.
 SEE FOUNDATION PLAN FOR THE TIE DOWN LOCATIONS
 10 MISC: 26 GAUGE GALVANIZED BOTTOM BOARD
 13 MISC: 1/2" DIA. HOLE 48" O.C. TOP AND BOTT. FLANGE AT PERIMETER OF BUILDING
 16 MISC: 1 BEAM CLAMPS 15'-0" O.C. MAX. (SHIP LOOSE)
 17 MISC: THIS UNIT WILL HAVE STEEL COLUMNS, INTEGRAL W/ STEEL CHASSIS FRAME
 18 MISC: THIS UNIT WILL HAVE STEEL DIAG. BRACES - SEE DRAWING
 19 MISC: STENCIL SERIAL NUMBER ON HITCH & FRONT CROSS-MEMBER
 21 UNDER COATING: RUST INHIBITIVE LATEX TYPE PAINT, BLACK, 100% COVERAGE OF STRUCTURAL MEMBERS.

B-FLOOR
 1 BOTTOM BOARD: 26 GAUGE GALVANIZED BOTTOM BOARD (SERVES AS IGNITION BARRIER FOR RIGID INSULATION IN FLOOR).
 NOTE: SHIP LOOSE BOTTOM BOARD & INSULATION FOR WHEEL-WEEL AREAS, TO BE INSTALLED BY OTHERS ON SITE.
 2 INSULATION: (2) LAYERS OF 2.7" RIGID FOAM INSULATION (R-31)
 3 JOISTS: 2 x 6 (#2 SPF) AT 16" O.C. NOMINAL LONGITUDINAL JOISTS
 W/ DBL. SIDERAILS BELOW EXT. DOORS
 W/ DBL. SIDERAIL AT MATELINE SIDE
 (FRAME OUT WHEEL WELLS, LINE FACE OF FRAMING W/ SIMPLEX, STRETCH SIMPLEX ACROSS TOP OF OPENINGS & SECURE, BEFORE DECKING INSTALLED)
 4 DECKING: 3/4" T&G UNDERLAYMENT PLYWOOD (RATED 40/20)
 HOLD BACK DECKING 5" AT OPEN MATE LINES
 5/8" PLYWOOD PROVIDES THERMAL BARRIER BETWEEN FOAM PLASTIC INSULATION AND BUILDING INTERIOR)
 5 COVERING: 1/8" VINYL COMPOSITION TILE
 (HOLD BACK TILE 10 1/2")
 COLOR: FORTRESS WHITE #51839

C-EXTERIOR WALLS
 NOTE: SHIPPING WALLS TO BE "A-FRAME" TYPE.
 NOTE: DO NOT REMOVE SHIPPING WALLS AT MODULE MATE LINES, UNTIL MODULE IS SET ON PERMANENT FOUNDATION.
 REPLACE HITCH END AND REAR END WALLS W/ W/M VISQUEEN
 1 STUDS (SIDEWALLS): 2 x 6 (SPF #2) @ 16" O.C.
 1a STUDS (ENDWALLS): 2 x 4 (SPF #2) @ 16" O.C.
 SIDEWALL HT: 9'-6 1/2" STUD LENGTH: 110"
 ENDWALL HT: 9'-7 5/8" STUD LENGTH: 111 1/8"
 DBL. STUDS EACH END OF SIDEWALLS (SPF #2);
 - SGL. JAMBSTUD AT DOORS & WINDOWS (SPF #2);
 - SGL. JACKSTUD AT ENDWALL WINDOWS/DOORS (SPF #2);
 ALL JAMB- AND JACK-STUDS TO BE NON-DADOED
 - TRIPLE 2" x 6" (SPF #2) HEADERS OVER WINDOWS
 - TRIPLE 2" x 6" (SPF #2) HEADERS OVER 38" DOORS
 - TRIPLE 2" x 6" (SPF/SPY #2) HEADERS OVER DBL. DOOR ROUGH-INS
 NOTE: INSTALL CONTINUOUS DBL. 2x4 BLOCKING BETWEEN STUDS - LOWER BLOCK CENTERED @ 93 5/8" ABOVE BOTTOM OF WALL
 NOTE: INSTALL FORMED CHANNELS, 20" L. ON SIDEWALLS ONLY, FOR ATTACHMENT OF DIAGONAL BRACES - BOTTOM OF CHANNEL UP 98" A.F.F.
 NOTE: TRIPLE (2 X 6) TAPERS ABOVE SIDEWALLS
 TAPER FROM 4-7/8" @ PEAK, TO 1-1/8" @ ENDS
 2 BOTTOM PLATE: (1) 2 x 6 (#3 SPF) SIDE WALLS
 2a BOTTOM PLATE: (1) 2 x 4 (#3 SPF) END WALLS
 3 TOP PLATE: (2) 2 x 6 (#3 SPF) SIDE WALLS
 3a TOP PLATE: (2) 2 x 4 (#3 SPF) END WALLS
 4 COVERING: 1/2" VINYL COV. GYP. BOARD (CLASS I F.S.)
 COLOR: LOOMA BEIGE
 NOTE: DO NOT HOLD BACK COVERING AT MATE LINE
 DO NOT INSTALL INTERIOR TRIM - SEE TRIM SECTION
 4a COVERING: SURPLUS GYP BD. (MIN. 1/2"), ABOVE 8" V.C.G.
 5 SHEATHING: AIR INFILTRATION BARRIER (TYVEK OR EQUAL)
 6 INSULATION (SW): 3" ICYNE PROSEAL SPRAY FOAM INSULATION R-7.1 / IN. (R-21.3) w/ R-15 UNFACED FIBERGLASS INSULATION
 6a INSULATION (EW): 3" ICYNE PROSEAL SPRAY FOAM INSULATION R-7.1 / IN. (R-21.3)
 NOTE: KRAFT PAPER FACING TOWARDS HABITABLE SPACE
 7 SIDING: 7/16" T1-11 SMART PANEL (GROOVES 4" O.C.)
 COLOR: SILVERPOINT, SEMI GLOSS
 8 TRIM: EXTERIOR TRIM: M.D.O. BOARD
 5/4 x 4 @ WINDOWS COLOR: BAINBRIDGE GREEN, SEMI GLOSS
 1 x 4 @ CORNERS COLOR: SILVERPOINT, SEMI GLOSS
 1 x 4 @ MATELINE SEAMS COLOR: SILVERPOINT, SEMI GLOSS
 SHIPPED LOOSE
 1 x 6 @ SIDING/SKIRT SEAM COLOR: SILVERPOINT, SEMI GLOSS
 SHIP LOOSE SIDING / SKIRT TRIM
 INSTALL "Z" MOLD @ BOTTOM OF SIDING
 9 SKIRTING: NONE
 10 COLUMNS: 3" x 3" x 3/16" STEEL TUBING
 COL. LENGTH INCLUDING STEEL TOP & BOTTOM PLATES);
 NOTE: SEE DRAWING
 WELD CHANNEL EXTENSION TO COLUMN FOR BOLTED CONNECTION TO BOTTOM CHORD.

D-INTERIOR WALLS
 1 STUDS: NOTE: 2 x 4 (SPF STUD) @ 16" O.C.
 ONLY UNNOTCHED STUDS ARE TO BE USED FOR FIRE RATED WALLS
 HOLES MAY BE DRILLED FOR WIRING
 BUT VOIDS MUST BE FILLED WITH "FIRE CAULK"
 BEFORE WALL IS COVERED
 (1) 2 x 4 (#3 SPF)
 (2) 2 x 4 (#3 SPF)
 1/2" VINYL COV. GYP. BOARD (CLASS I F.S.)
 TO BE SELECTED FROM MFRS. STD. COLORS
 DO NOT INSTALL INTERIOR TRIM - SEE TRIM SECTION
 1/2" TYPE X VINYL COV. GYP. BOARD (CLASS I F.S.) OVER 1/4 UNFINISHED GYP.
 (1-HR. RATED WALL ASSEMBLY PER GA WP3341)
 LOOMA BEIGE
 2 BOTTOM PLATE:
 3 TOP PLATE:
 4 COVERING:
 4a NOTE: 1/2" VINYL COV. GYP. BOARD (CLASS I F.S.)
 COLOR:
 5 INSULATION:
 7 MISC: 2x4 PLENUM WALL (STUDS @ 24" O.C.)
 ALUMINUM LINING ON INTERIOR TO SECURE INSULATION)
 MIN. 0.10" THERMO-PLY LINING INSTALLED IN ACTUAL PLENUM ONLY NOT ON ENTIRE WALL
 11 MISC: A-FRAME SHIPPING WALLS, (5) PER OPEN SIDE

E-ROOF
 1 RAFTERS: 2 x 10 (#2 SYP), UNTAPERED, @ 16" O.C. (60# PSF LL)
 ALTERNATE: 2 x 10 (#2 SYP), UNTAPERED, @ 16" O.C.
 2 MATE BEAM: 2x10 ROOF FRAMING 64'-0" OVERALL
 STEEL TRUSS, 80' CLEAR SPAN 50# PSF LL
 25 14" @ LOW END @ CTR. PEAK
 2x8 SPF#3 PLATE CARRIAGE BOLTED TO TRUSS TOP CHORD (64'-0" LONG - 2'-0" OVERHANG EACH END OF TRUSS)
 4 TRUSS TOP & BOTTOM CHORDS BOLTED TO CORNER POST
 SUSPENDED (T-GRID) W/ 2x4 LAY-IN TILE
 W/ 7'-10 1/2" FINISH CEILING HEIGHT
 CEILING TILE TO BE ARMSTRONG # 769 CORTEGA FISSURED
 ACOUSTIC TILE, 2' x 4', CLASS A FLAME SPREAD;
 ARMSTRONG METAL TEE-GRID SYSTEM TO HAVE WHITE FINISH
 GRID TO BE POP RIVETED AT INTERSECTIONS OF MAINS AND CROSS TEES, AND AT INTERSECTIONS OF WALL ANGLES AND CROSS TEES
 ALL LIGHTS TO HAVE HANGER WIRES AT EACH CORNER
 SHIP LOOSE TILE AND GRID TEES FOR ON-SITE INSTALLATION (BY OTHERS) AT MATE LINE HOLD BACKS
 Ceiling grid installed to meet IBC/ASCE 7 Seismic Design Categories A-B, with additional bracing as required to resist over-the-road shipping stresses. For buildings located in areas of higher Seismic Design Categories (C, D, E, or F), additional ceiling grid bracing, reinforcement, and/or seismic clips may be required. Consult local building officials to verify site Seismic Design Category and ceiling installation requirements.
 5 TRUE CEILING: 1/2" UNFINISHED GYP BOARD (CLASS I F.S.) - THERMAL BARRIER ON UNDERSIDE OF RAFTERS
 5a TRUE CEILING: (2) LAYER 5/8" TYPE "X" UNFINISHED GYPSUM BOARD (1-HR RATED CEILING ASSEMBLY GA #RC 2601)
 6 INSULATION: 5/8" UNFINISHED GYPSUM BOARD OVER EXISTING 1/2" UNFINISHED GYP BOARD
 7 SHEATHING: R-38 KRAFT-FACED H.P. FIBERGLASS BATT COMPRESSED TO R-35
 8 ROOFING: KRAFT PAPER FACING TOWARDS HABITABLE SPACE
 9 MANSARD: MULL HIDE "FR" CLASS C SHEATHING (68" PLYWOOD W/ CLASS C FIRE RETARDANT COATING) EPDM RUBBER 1-PC. MEMBRANE, 45 mil, BLACK
 7/16" T1-11 SMART PANEL (GROOVES 4" O.C.)
 MANSARD PROFILE: FLAT
 MANSARD TOP EDGE FOLLOWS ROOF LINE
 SIDEWALL OVERHANG: 1 1/2"
 ENDWALL OVERHANG: 24"
 SIDE HEIGHT: 37 7/8" @ PEAK
 END HEIGHT: 33 1/8"
 COLOR: BAINBRIDGE GREEN, SEMI GLOSS
 MANSARD TRIM TO BE M.D.O. BOARD
 1 x 6 @ MANSARD TOP EDGE, EXTEND TO MATE LINE
 W/ K-60 MINI-GUTTER - HOLD BACK MINI-GUTTER 12" @ MATELINE
 1 x 4 @ MANSARD CORNER
 1 x 4 @ MANSARD BOTTOM SHIPLOOSE AT ENDWALLS
 1 x 4 @ MATELINE MANSARD & SOFFIT SEAMS
 SHIPLOOSE
 BAINBRIDGE GREEN, SEMI GLOSS
 MANSARD TO BE FIRE STOPPED AT 20' O.C. WHEN MANSARD IS A SEPARATE ENCLOSED SPACE FROM THE ROOF CAVITY.
 END WALL MANSARD FRAMING 2x3 CONSTRUCTION, w/ TOOTHED NAIL PLATES ON INTERIOR SIDE OF FRAMING, UPRIGHTS @ 24" O.C. NOM.
 7/16" T1-11 SMART PANEL (GROOVES 4" O.C.)
 WIDTH: 23 1/4"
 BAINBRIDGE GREEN, SEMI GLOSS
 END WALL SOFFIT FRAMING 2x2 FR. / REAR RAILS, 2x3 UPRIGHTS, w/ TOOTHED NAIL PLATES ON INTERIOR SIDE OF FRAMING, LONGITUDINALS @ 24" O.C. NOM.
 K60 MINI GUTTER (COLOR MATCH WHITE)
 HOLD BACK 12" AT MATE LINES
 NOTE: THIS BUILDING WILL REQUIRE DRAFT STOPPING IN CEILING CAVITY.
 DRAFT-STOPPING TO CONSIST OF 3/8" PLYWOOD, OR 1/2" GYPSUM BOARD INSTALLED AT INTERVALS NOT TO EXCEED 3,000 SQ. FT.
 LONGITUDINAL DRAFT-STOPPING WILL BE INSTALLED AT INBOARD SIDE OF MATE LINE TRUSSES
 DRAFT-STOPPING MAY BE FIELD-, OR FACTORY-, INSTALLED
 INSTALLATION OF DRAFT-STOPPING WILL BE DEALER'S RESPONSIBILITY UNLESS BUILDING MFR. IS ADVISED OF NEED FOR DRAFT-STOPPING WHEN ORDER IS PLACED.
 14 MISC: DIAGONAL BRACES OF 2x3 SPF #3, OR BETTER, SPACED 12' O.C. NOM.; INSTALLED FROM RAFTERS TO SIDEWALL ATTACHMENT CHANNELS
 14a MISC: DIAGONAL BRACES OF 11 GA. OR 1 1/2" x 1 1/2" STEEL ANGLE, SPACED 12' O.C. NOM.; FROM RAFTERS TO BOTTOM CHORD OF TRUSS @ MATELINES

F-DOORS
 1 EXT. DOOR: 36"W x 80"H 18 GA. COMM. INSUL. STEEL W/ 5" X 20" VISION PANEL (SAFETY GLAZED)
 COLOR: SILVERPOINT, SEMI GLOSS
 FRAME THROAT: 4-5/8" (EW) 6-5/8" (SW)
 R.O. 37 3/4" W x 80 3/4" H
 SINGLE COMM. INSUL. STEEL DOOR - 37 3/4" W x 80 3/4" H (TO BE INSTALLED IN FACTORY)
 HARDWARE:
 a: PANIC (W/EXTERIOR LEVER & KEY CYLINDER) (GRADE 1)
 b: CLOSER (GRADE 1)
 c: THRESHOLD
 d: WEATHERSTRIPPING
 2 INT. DOOR: 36"W x 80"H S.C. WOOD (IMPERIAL OAK)
 R.O. 37 3/4" W x 80 3/4" H (STEEL JAMBS)
 FRAME THROAT: 5-1/8"
 FRAME COLOR: TO MATCH TIMELY "WESTERN WHITE"
 (20 MIN. C-LABELLED DOOR & JAMB)
 HARDWARE:
 b: CLOSER (GRADE 1)
 a: STORAGE FUNCTION SET (LEVER) (GRADE 1)
 c: WALL MOUNT DOOR STOP
 c: BALL-BEARING HINGES, 180° SWING (GRADE 1)
 2a INT. DOOR: 36"W x 80"H S.C. WOOD (IMPERIAL OAK)
 R.O. 37 3/4" W x 80 3/4" H (STEEL JAMBS)
 FRAME THROAT: 5-1/8"
 FRAME COLOR: TO MATCH TIMELY "WESTERN WHITE"
 (20 MIN. C-LABELLED DOOR & JAMB)
 HARDWARE:
 a: PASSAGE SET (LEVER) (GRADE 1)
 b: CLOSER (GRADE 1)
 c: WALL MOUNT DOOR STOP
 d: BALL-BEARING HINGE (GRADE 1)
 NOTE: ALL DOOR HARDWARE TO BE BY "TELL"

F-DOORS (CONTD.)
 3 INT. DOOR: 36"W x 80"H S.C. WOOD (IMPERIAL OAK)
 R.O. 37 3/4" W x 80 3/4" H (STEEL JAMBS)
 FRAME THROAT: 5-1/8"
 FRAME COLOR: TO MATCH TIMELY "WESTERN WHITE"
 (20 MIN. C-LABELLED DOOR & JAMB)
 HARDWARE:
 a: OFFICE FUNCTION SET (LEVER) (GRADE 1)
 b: CLOSER (GRADE 1)
 c: WALL MOUNTED DOOR STOP
 d: BALL-BEARING HINGE (GRADE 1)
 NOTE: ALL DOOR HARDWARE TO BE BY "TELL"

G-WINDOWS:
 2 MISC: SEE DRAWINGS FOR WINDOWS TO BE REMOVED AND WALLS REFINISHED; OPENINGS TO BE FRAMED IN, INSULATED, REFINISHED WITH INTERIOR WALL COVERING AND SIDING, AND TRIMMED OUT WITH INTERIOR CASING AND EXTERIOR TRIM
H-ELECTRICAL:
 1 LOADCENTER: 120/240 V., 1-PHASE, 60 HZ, 3-WIRE, MAIN LUG, BR1630B150 PANEL, 150 AMP MAIN TYPICAL ALL SIDEWALL MODULES BR1224L125 PANEL, 100 AMP MAIN TYPICAL ALL CENTER MODS.
 2 SERV ENT: 1 1/2" EMT THRU FLOOR
 NOTE: ALL SERVICE ENT. WIRING TO BE TYPE THWN COPPER.
 NOTE: MAIN DISTRIBUTION PANEL, &/OR MAIN DISCONNECT SWITCH, TO BE PROVIDED & INSTALLED BY OTHERS ON-SITE-INCLUDING ALL REQUIRED FEEDER WIRING, CONDUIT, ETC., TO CONNECT FACTORY INSTALLED LOAD CENTERS.
 3 WIRING: COPPER (12-2 W/G MIN) TYPE NM-B 90 C
 3a WIRING: ALL WIRING IN CEILING CAVITY TO BE MC CABLE w/ INTERLOCKING TAPE SHEATH (#12 MIN WIRE SIZE) - TYPE THHN CONDUCTORS, GROUND & NEUTRAL 24" X 48" (2) TUBE FLUOR. (LAY-IN) W/ DIFFUSER ELECTRONIC BALLAST, T-8 BULBS (28W EACH)
 9 INT. LIGHTS: INSTALL HANGER WIRES AT EACH CORNER OF FIXTURE
 NOTE: ALL FLUORESCENT LIGHTS TO HAVE DISCONNECTING MEANS FOR BALLAST MAINTENANCE
 13 EXT. LIGHTS: BEAGULL #4285 60 WATT (WEATHERPROOF) W/ PHOTOCELL CONTROL - UP 78" TO TOP
 19 EGRESS LIGHTS: EXIT/EMERGENCY LIGHT W/ BATTERY PACK & EXTERIOR REMOTE HEAD (W.P.) - UP 84"
 NOTE: EXT. EMERGENCY HEAD FACTORY INSTALLED
 INSTALL EXTERIOR WIP COVER OVER EXTERIOR REMOTE HEAD WIRING
 21 RECEPTS: 125V/20A DUPLEX
 22 RECEPTS: UP 18" TO BOTTOM OF BOX UNLESS NOTED
 25 RECEPTS: 125V/20A DUPLEX (GF) - UP 48" TO TOP
 29 RECEPTS: 125V/20A DUPLEX (GF) WEATHER-RESISTANT-IN-USE COVER, UP: 6" A.F.F. TO BOTTOM
 NOTE: ALL RECEPTS ARE TO BE GROUNDING TYPE
 33 DATA DROPS: 120V/20A SINGLE-POLE W/ OCCUPANCY SENSOR - UP 48" TO TOP
 35 FIRE ALARM: 2x4 NON-METALLIC JUNCTION BOX, UP 18" - w/ 3/4" PVC CONDUIT
 CEILING CAVITY - INSTALL BLANK SINGLE-GANG COVER
 ROUGH-IN ONLY FOR PULL STATION - 2x4 NON-METALLIC BOX UP 48" TO TOP - 3/4" PVC CONDUIT TO AIR ROUGH-IN OR TO CEILING CAVITY - INSTALL BLANK SINGLE-GANG COVER
 36 FIRE ALARM: ROUGH-IN ONLY FOR AUDIO/VISUAL DEVICE - 4x4 NON-METALLIC BOX UP 80" TO BOTTOM
 3/4" PVC CONDUIT TO CEILING CAVITY - INSTALL BLANK 2-GANG COVER
 FIRE ALARM SYSTEM TO BE PROVIDED AND INSTALLED ON SITE BY OTHERS, NOT BY FACTORY.
 NOTE: ALL CONDUIT ROUGH-INS TO HAVE PULL WIRE OR PULL STRING INSTALLED.
 42 MISC: AIR INFILTRATION GASKETS AT SWITCHES AND RECEPTS

J-PLUMBING: NONE
K-H.V.A.C.
 1 HEATING/COOLING: (SIDEWALL UNITS) BARD 2.5T COOLING, 10kW HEATING 10.00 EER UNITS
 MANSARD TRIM TO BE M.D.O. BOARD
 1a HEATING/COOLING: (CENTER UNITS) BARD BRAND (FRONT DISCHARGE) BARD 2.5T COOLING, 10kW HEATING 10.00 EER UNITS
 NOTE: AIR CONDITIONER W/ ELECTRIC HEAT OUTDOOR INTAKE AIR DAMPER TO BE IN CLOSED POSITION FOR SHIPPING
 NOTE: INTAKE AIR DAMPER MUST BE ADJUSTED ON SITE FOR PROPER AIRFLOW - SEE HVAC UNIT OPERATING INSTRUCTIONS.
 3 SUPPLY DUCT: SINGLE 13/16" FIBERGLASS DUCTBOARD IN CEILING CAVITY
 3a SUPPLY DUCT: 8" FLEX INSUL. FLEX DUCT SUPPLY BRANCH-FACTORY INSTALLED. ALL FLEX SUPPLY BRANCHES 5' LONG MINIMUM.
 4 DIFFUSERS: 24"x24", PERFORATED FACE HART & COOLEY #PDS, LAY-IN W/ADJ. DAMPER (CEILING)
 5 NOTE: DIFFUSERS TO REMAIN AS CLOSE AS POSSIBLE TO ORIGINAL PLACEMENT
 5a RETURN AIR DUCT: SINGLE 13/16" FIBERGLASS DUCTBOARD IN CEILING CAVITY
 6 MISC: 8" DIA. FLEX RETURN AIR BRANCH. ALL FLEX RETURN BRANCHES 5' LONG MINIMUM.
 7 NOTE: FIRE/SMOKE DAMPERS WITH FUSIBLE LINK TO BE INSTALLED IN 1-HOUR FIRE-RATED CORRIDOR - SEE M2.1 FOR LOCATIONS
 8 R/A GRILLES: 24"x24", PERFORATED FACE, LAY-IN (CEILING) NO DAMPER
 NOTE: GRILLES TO REMAIN AS CLOSE AS POSSIBLE TO ORIGINAL PLACEMENT
 8 THERMOSTAT: FOR CENTRAL H.V.A.C. UNIT Robert Shaw - 2200NC 2H1C Programmable - 06233725 (PROGRAMMABLE)

L-FURNITURE & INTERIOR FURNISHINGS: NONE

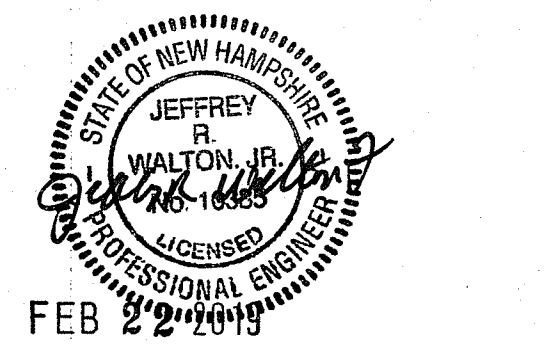
M-MISCELLANEOUS:
 1 SHIPPING PREP: REPLACE VISQUEEN WRAP WITH W/M VISQUEEN AT BARD UNIT, MATELINES, & ALL END WALLS
 2 SHIP LOOSE: EXTERIOR & INTERIOR MATELINE CLOSE-UP MATERIAL SHIPPED LOOSE FOR INSTALLATION BY OTHERS @ SITE
 NOTE: SIDE WALL MODULES TO HAVE SHIP LOOSE MATERIAL FOR (1) MATE LINE CENTER MODULES TO HAVE SHIP LOOSE MATERIAL FOR (1) MATE LINE

TRIM PACKAGE #3
 NOTE: INSTALL WINDOW JAMB & TRIM SHIP LOOSE ALL INSIDE & OUTSIDE CORNER TRIM; SHIP LOOSE 3" BATTENS FOR MATE LINE SEAM CLOSURES
 4" VINYL COVE BASE
 BASE MOLDING: SOFT WHITE
 COLOR: VINYL COVERED TRI-MOLD (MATCH GYPSUM)
 INSIDE CORNER: VINYL COVERED TRI-MOLD (MATCH GYPSUM)
 OUTSIDE CORNER: VINYL COVERED TRI-MOLD (MATCH GYPSUM)
 MATE LINES: 3" VINYL COVERED BATTENS (MATCH GYPSUM)
 PANEL SEAMS (WALLS): NONE
 WALL @ CEILING: SUSPENDED CEILING WALL ANGLE, WHITE
 CEILING: SUSPENDED CEILING TEE GRID, WHITE
 EXT. DOOR JAMB/TRIM: PAINTED STEEL.
 COLOR: SILVERPOINT
 INT. DOOR JAMB/TRIM: PAINTED STEEL
 COLOR: TIMELY WESTERN WHITE
 WINDOW JAMB: 68" PRE-PAINTED JAMB STOCK
 WINDOW TRIM: 2 1/4" RANCH MOLDING (PRE-PAINTED)
 ALL PRE-PAINTED WOOD COLOR: #CV TAN

WARRANTY:
 WHITLEY STANDARD ONE YEAR, SEE WARRANTY PACK IN COMPLETED PRODUCT.
 WARRANTY CLAIMS ARE NOT CONSIDERED WITHOUT PRIOR WHITLEY AUTHORIZATION

UNIT LABELS: THIRD-PARTY LABEL, M.B.I. LABEL, AND STATE LABEL OF: NEW HAMPSHIRE
MODEL APPROVAL: THIRD PARTY, AND STATE OF: NEW HAMPSHIRE
BUILDING INFORMATION:
 BUILDING USE GROUP: B (BUSINESS)
 TYPE OF CONSTRUCTION: 5B/ VB (WOOD FRAME - UNPROTECTED)
 SQUARE FOOTAGE: 4935 SQ FT
 OCCUPANT LOAD OF BUILDING: 50, OR LESS - USE GROUP "B"
BUILDING DESIGN LOADS:
 FLOOR LIVE LOAD UNIFORM: 100 PSF
 FLOOR LIVE LOAD CONCENTRATED: 2000 LBS
 FLOOR IMPACT LOAD: N/A LBS
 FLOOR LIVE LOAD (CORRIDOR): 100 PSF
 FLOOR DEAD LOAD: 10 PSF
 ROOF LIVE LOAD (SNOW): 60 PSF
 GROUND SNOW LOAD: 70 PSF
 ROOF DEAD LOAD: 10 PSF
 FLAT ROOF SNOW LOAD: 49 PSF
 SNOW EXPOSURE FACTOR: 1.00
 SNOW LOAD IMPORTANCE FACTOR: 1.00
 THERMAL FACTOR: 1.00
 RAIN ON SNOW SURCHARGE LOAD: N/A
 BASIC WIND SPEED (Vult): ***** MPH
 BASIC WIND SPEED (Vasd): ***** MPH
 WIND IMPORTANCE FACTOR: 1.00
 BUILDING CATEGORY: II
 WIND EXPOSURE: C
 DESIGN WIND PRESSURE: ***** PSF
 SEISMIC IMPORTANCE FACTOR: 1.00
 SPECTRAL RESPONSE COEFFICIENT SDS: *****
 SPECTRAL RESPONSE COEFFICIENT SD1: *****
 SITE CLASS: D
 BASIC SEISMIC-FORCE-RESISTING SYSTEM: A.14
 DESIGN BASE SHEAR: ***** LBS
 SEISMIC DESIGN CATEGORY: *****
 Whitley Model 7111 Calculation Package for the wind and seismic criteria

NOTE:
 STRUCTURE OF THIS BUILDING IS MODEL 7111 WITH INTERIOR WALLS



No.	Description	Date	No.	Description	Date

THIS DRAWING AND ALL INFORMATION CONTAINED HEREON IS THE PROPERTY OF WHITLEY MFG. CO., INC. AND IS NOT TO BE REPRODUCED WITHOUT THE EXPRESS PERMISSION OF WHITLEY MFG. CO., INC. WHITLEY MFG. CO., INC. ASSUMES NO RESPONSIBILITY FOR UNAUTHORIZED USE OF THIS DRAWING.

Whitley East, LLC
 64 HESS ROAD
 LEOLA, PA 17540
 PHONE: 717.656.2081
 www.whitleyman.com

Drawn By: EP
 Checked By: MR
 Rev:

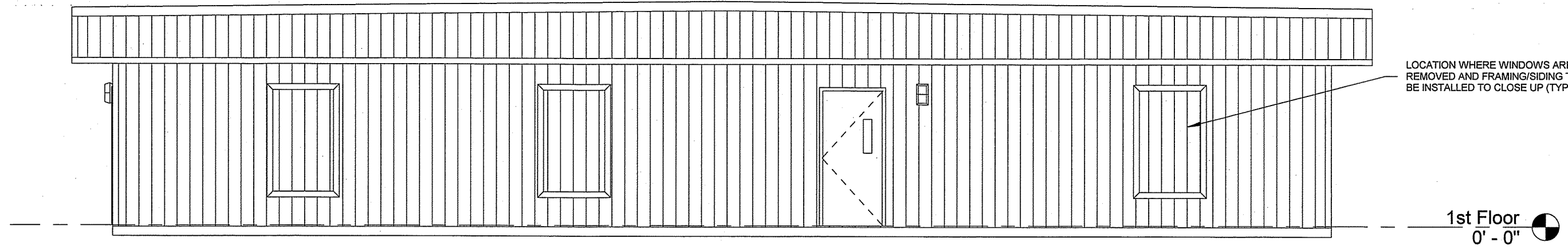
SPECIFICATIONS
 CLEAR SPAN OUTFITTING
 MGI
 (7) 11'-9" x 64'-0" MODULES

Serial No. 1871-72, 1874-78	Date: 11-12-18
Quote No. 18-0237	Scale: 1/4" = 1'-0"
Model No. 7495	Page No.
Job No. 2018-055-WP	A0.0

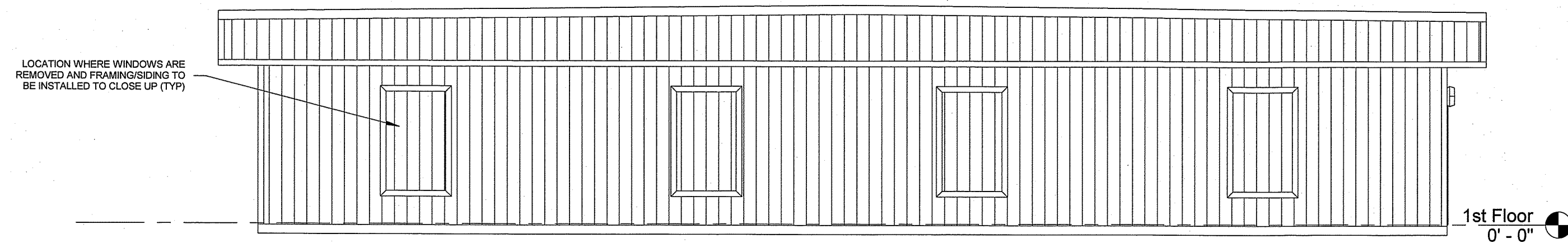
APPROVED AS NOTED
 RETURN FOR CORRECTION

BY: _____
 DATE: _____

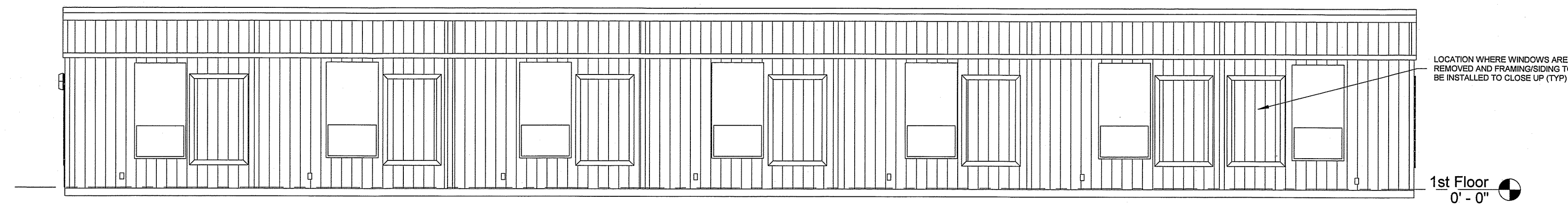
UPON APPROVAL, THESE DRAWINGS WILL TAKE PRECEDENCE OVER ALL PREVIOUS DRAWINGS FOR THIS PROJECT



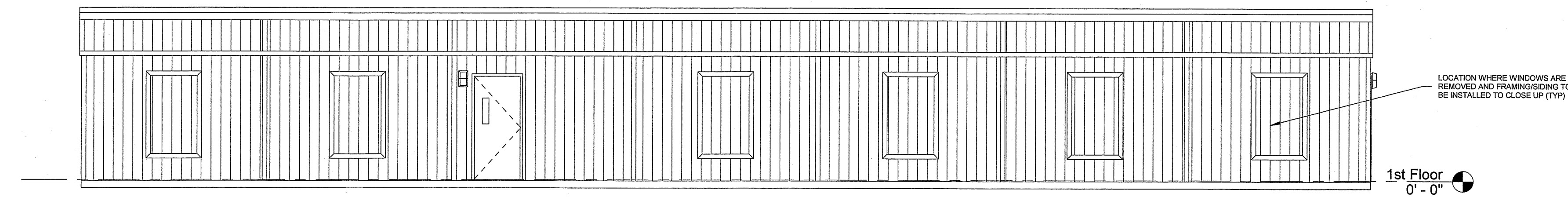
① East Elevation
3/16" = 1'-0"



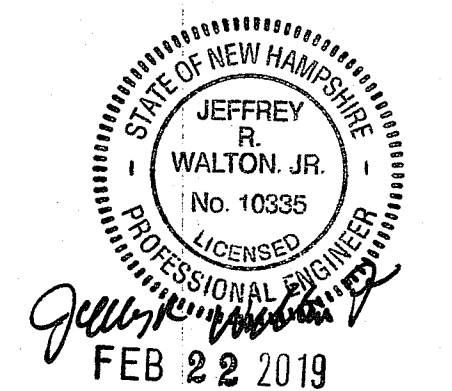
② West Elevation
3/16" = 1'-0"



③ North Elevation
3/16" = 1'-0"



④ South Elevation
3/16" = 1'-0"



WHITLEY MANUFACTURING INC.
201 WEST FIRST STREET
SOUTH WHITLEY, INDIANA 46787-0496
260-723-5131

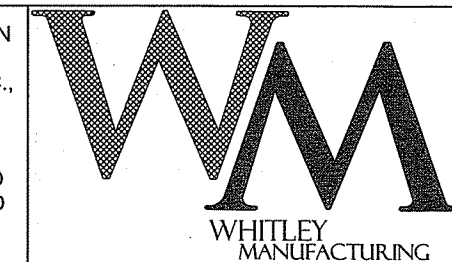
APPROVED AS NOTED
RETURN FOR CORRECTION

BY: _____
DATE: _____

UPON APPROVAL, THESE DRAWINGS
WILL TAKE PRECEDENCE OVER ALL
PREVIOUS DRAWINGS FOR THIS
PROJECT

No.	Description	Date	No.	Description	Date

THIS DRAWING AND ALL INFORMATION CONTAINED HEREON IS THE PROPERTY OF WHITLEY MFG. CO., INC., AND IS NOT TO BE REPRODUCED WITHOUT THE EXPRESS PERMISSION OF WHITLEY MFG. CO., INC. WHITLEY MFG. CO., INC. ASSUMES NO RESPONSIBILITY FOR UNAUTHORIZED USE OF THIS DRAWING.



Whitley East, LLC
64 HESS ROAD
LEOLA, PA 17540
PHONE: 717.656.2081
www.whitleyman.com

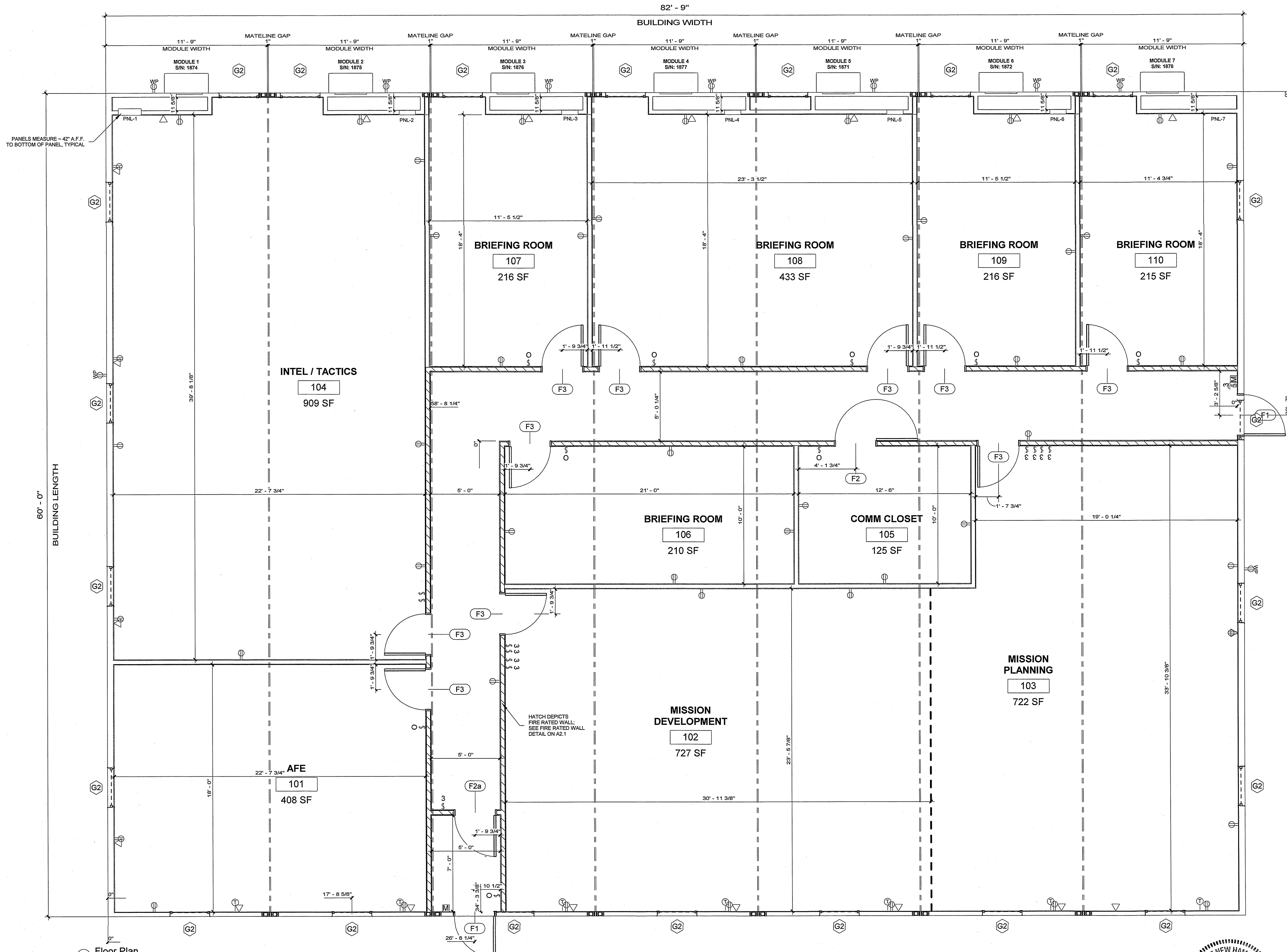
Drawn By: DR/EP
Checked By: MR
Rev:

EXTERIOR ELEVATIONS
CLEAR SPAN OUTFITTING
MGI
(7) 11'-9" x 64'-0" MODULES

Serial No. 1871-72, 1874-78	Date: 11-12-18
Quote No. 18-0237	Scale: As indicated
Model No. 7495	Page No.
Job No. 2018-055-WP	A1.0

WALLS AND INTERIOR PARTITIONS, WOOD-FRAMED	
GA FILE NO. WP 3341	GENERIC
<p>GYPSUM WALLBOARD, WOOD STUDS</p> <p>Base layer 1/2" gypsum wallboard applied parallel to each side of 2 x 4 wood studs 16" o.c. with 4d coated nails, 1 1/2" long, 0.0915" shank, 1/4" heads, 12" o.c. Joints staggered 1/2" on opposite sides. Face layer 1/2" type X plain or predecorated gypsum wallboard or gypsum veneer base applied parallel to each side with 1/4" heads of adhesive 2" o.c. and 8d coated nails, 1 7/8" long, 0.0915" shank, 1/4" heads, 6" o.c. at top and bottom plates only. Offset joints 24" from base layer joints. (LOAD-BEARING)</p>	<p>1 HOUR FIRE</p> <p>45 to 49 STC SOUND</p>
<p>Thickness: 5 1/8"</p> <p>Approx. Weight: 7 psf</p> <p>Fire Test: FM 95-147, 1-2-89</p> <p>Sound Test: NGC 2321, 8-28-88</p>	

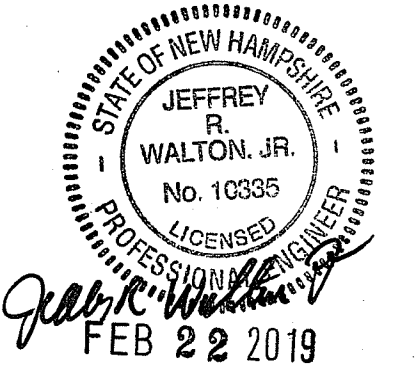
ROOF-CEILING SYSTEMS	
GA FILE NO. RC 2691	GENERIC
<p>GYPSUM WALLBOARD, WOOD JOISTS, ROOF COVERING</p> <p>Base layer 5/8" type X gypsum wallboard applied at right angles to 2 x 10 wood joists 24" o.c. with 1 1/4" Type W or S drywall screws 24" o.c. Face layer 5/8" type X gypsum wallboard or gypsum veneer base applied at right angles to joists with 1 7/8" Type W or S drywall screws 12" o.c. at joints and intermediate joints and 1 1/2" type G drywall screws 12" o.c. placed 2" back on either side of end joints. Joints offset 24" from base layer joints. Wood joists supporting 1/2" plywood with exterior glue applied at right angles to joists with 8d nails. Appropriate roof covering. Ceiling provides one hour fire resistance protection for wood framing, including trusses.</p>	<p>1 HOUR FIRE</p>
<p>Approx. Ceiling Weight: 5 psf</p> <p>Fire Test: FM FC 172, 2-25-72; ITS, 8-6-98</p>	



Legend	
[Symbol]	H1
[Symbol]	H9
[Symbol]	H9a
[Symbol]	H9b
[Symbol]	H10
[Symbol]	H14
[Symbol]	H16
[Symbol]	H17
[Symbol]	H17(A)
[Symbol]	REMOTE HEAD
[Symbol]	H21
[Symbol]	H22
[Symbol]	H24
[Symbol]	H25
[Symbol]	H26
[Symbol]	H29
[Symbol]	H30
[Symbol]	H31
[Symbol]	H32
[Symbol]	H33
[Symbol]	H34
[Symbol]	H35
[Symbol]	H36
[Symbol]	J13
[Symbol]	J14
[Symbol]	J15
[Symbol]	J20
[Symbol]	J21
[Symbol]	K4
[Symbol]	K8
[Symbol]	K10
[Symbol]	K11
[Symbol]	D4a

Note: Identification hexagons on the drawings and in the symbol legend correspond to the project specifications (Sht A0.0). The letter in the hexagon matches the specification section, the number in the hexagon matches the section number.

NOTE:
WINDOWS SHOWN AS DASHED LINES TO BE REMOVED;
SEE SHEET A0.0, ITEM G2



WHITLEY MANUFACTURING INC.
201 WEST FIRST STREET
SOUTH WHITLEY, INDIANA 46787-0496
260-723-5131

APPROVED AS NOTED
RETURN FOR CORRECTION

BY: _____
DATE: _____

UPON APPROVAL, THESE DRAWINGS
WILL TAKE PRECEDENCE OVER ALL
PREVIOUS DRAWINGS FOR THIS
PROJECT

No.	Description	Date	No.	Description	Date

THIS DRAWING AND ALL INFORMATION CONTAINED HEREON IS THE PROPERTY OF WHITLEY MFG. CO. INC., AND IS NOT TO BE REPRODUCED WITHOUT THE EXPRESS PERMISSION OF WHITLEY MFG. CO. INC. WHITLEY MFG. CO. INC. ASSUMES NO RESPONSIBILITY FOR UNAUTHORIZED USE OF THIS DRAWING.

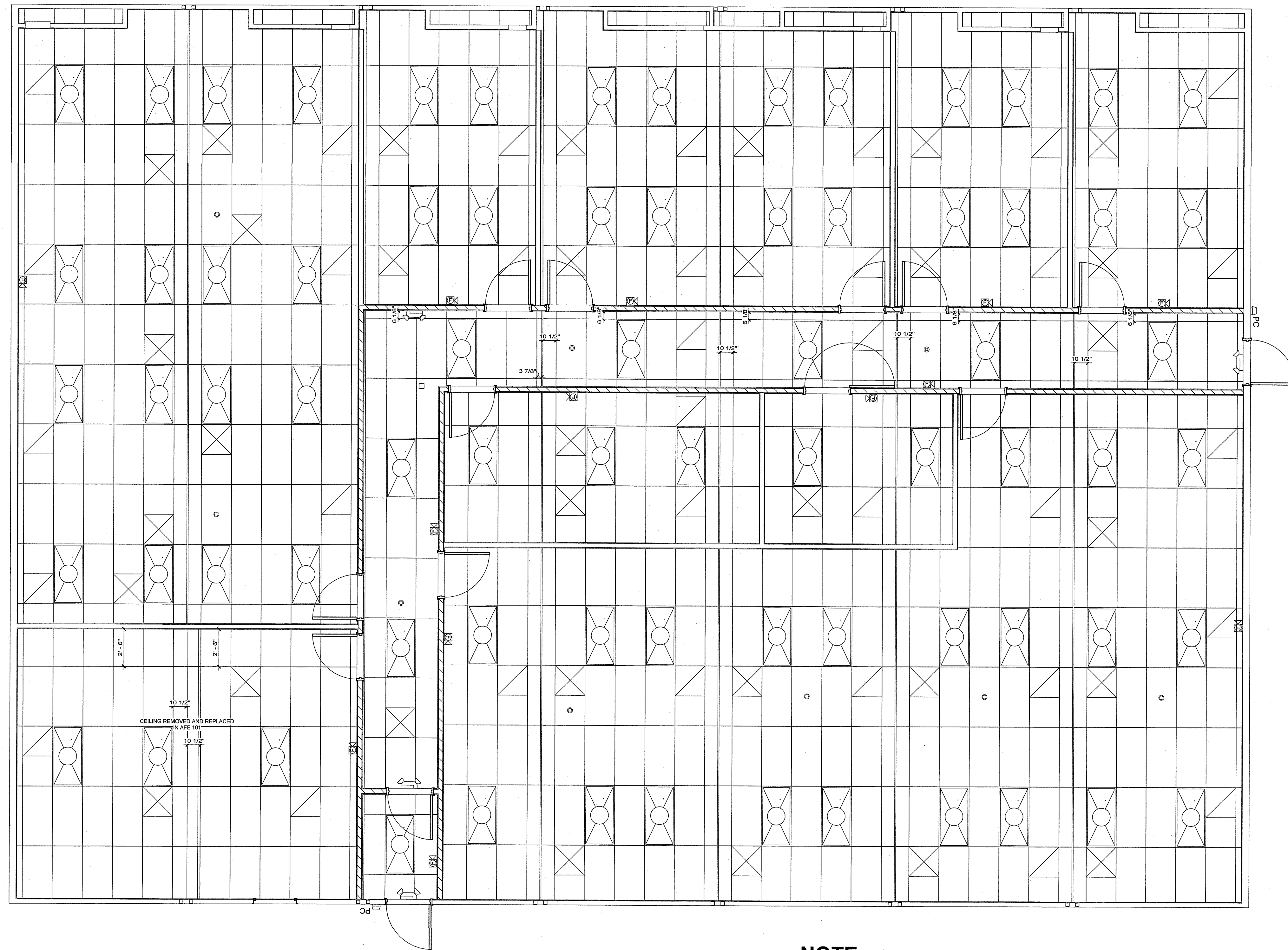
Whitley East, LLC
64 HESS ROAD
LEOLA, PA 17540
PHONE: 717.656.2081
www.whitleyman.com

Drawn By: DR
Checked By: MR
Rev:

FLOOR PLAN
CLEAR SPAN OUTFITTING
MGI
(7) 11'-9" x 64'-0" MODULES

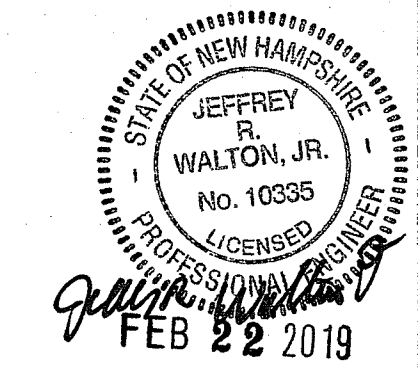
Serial No.	1871-72, 1874-78	Date:	11-12-18
Quote No.	18-0237	Scale:	1/4" = 1'-0"
Model No.	7495	Page No.	
Job No.	2018-055-WP		

A2.1



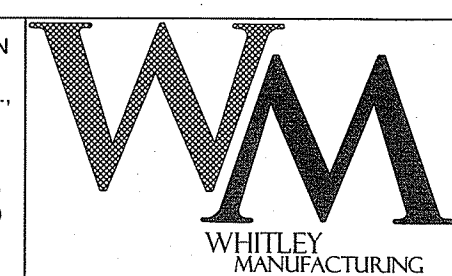
① Reflected Ceiling Plan
1/4" = 1'-0"

NOTE:
2x4 LIGHTS, DIFFUSERS, AND GRILLES TO REMAIN AS NEAR
AS POSSIBLE TO ORIGINAL PLACEMENT



No.	Description	Date	No.	Description	Date

THIS DRAWING AND ALL INFORMATION CONTAINED HEREON IS THE PROPERTY OF WHITLEY MFG. CO. INC. AND IS NOT TO BE REPRODUCED WITHOUT THE EXPRESS PERMISSION OF WHITLEY MFG. CO. INC. WHITLEY MFG. CO. INC. ASSUMES NO RESPONSIBILITY FOR UNAUTHORIZED USE OF THIS DRAWING.



Whitley East, LLC
64 HESS ROAD
LEOLA, PA 17540
PHONE: 717.656.2081
www.whitleyman.com

Drawn By: DR/EP
Checked By: MR
Rev:

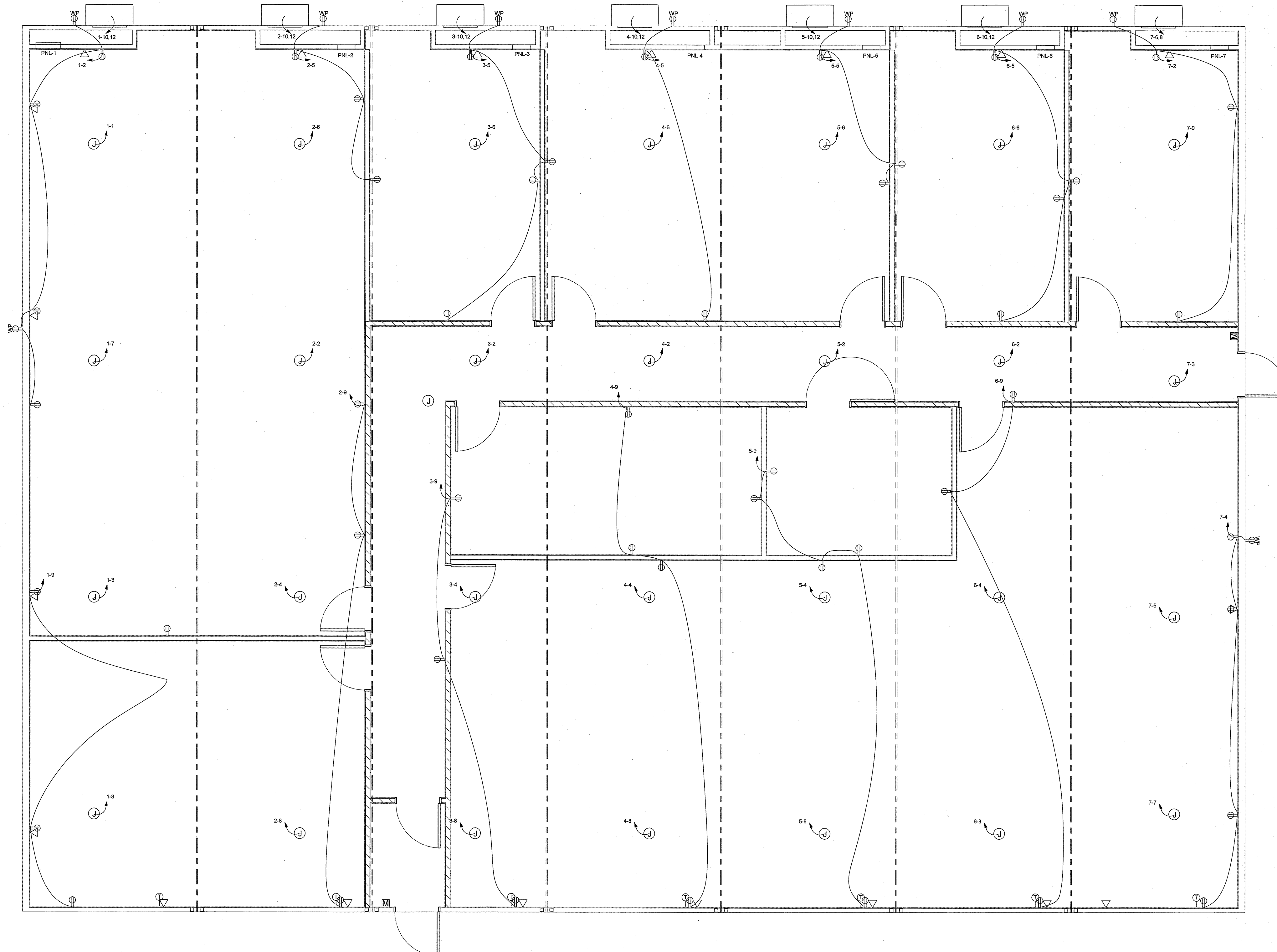
REFLECTED CEILING PLAN
CLEAR SPAN OUTFITTING
MGI
(7) 11'-9" x 64'-0" MODULES

Serial No.	1871-72, 1874-78	Date	11-12-18
Quote No.	18-0237	Scale	1/4" = 1'-0"
Model No.	7495	Page No.	A3.1
Job No.	2018-055-WP		

2/21/2019 3:07:16 PM

WIRING LEGEND:

- 120V =
- 208V SINGLE PHASE =
- 208V THREE-PHASE =
- MATELINE =



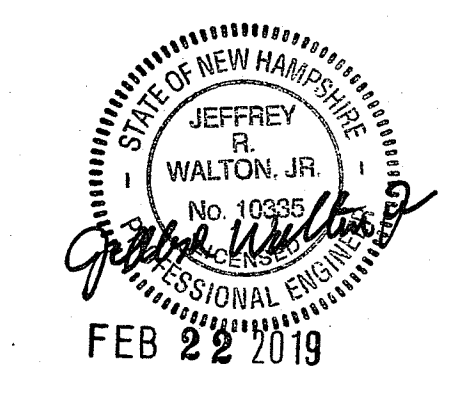
① Power Plan
1/4" = 1'-0"

WHITLEY MANUFACTURING INC.
201 WEST FIRST STREET
SOUTH WHITLEY, INDIANA 46787-0496
280-723-9131

APPROVED AS NOTED
RETURN FOR CORRECTION

BY: _____
DATE: _____

UPON APPROVAL, THESE DRAWINGS
WILL TAKE PRECEDENCE OVER ALL
PREVIOUS DRAWINGS FOR THIS
PROJECT



NOTE:
EXISTING JUNCTION BOXES PRE-WIRED
TO EXISTING BREAKERS; SEE ELECTRICAL
LOAD CALCULATIONS FOR FURNITURE
POWER AND SPARE BREAKER POSITIONS

No.	Description	Date	No.	Description	Date

THIS DRAWING AND ALL INFORMATION
CONTAINED HEREON IS THE
PROPERTY OF WHITLEY MFG. CO. INC.,
AND IS NOT TO BE REPRODUCED
WITHOUT THE EXPRESS PERMISSION
OF WHITLEY MFG. CO., INC.
WHITLEY MFG. CO. INC., ASSUMES NO
RESPONSIBILITY FOR UNAUTHORIZED
USE OF THIS DRAWING.

Whitley East, LLC
64 HESS ROAD
LEOLA, PA 17540
PHONE: 717.656.2081
www.whitleyman.com

Drawn By:
DR/EP
Checked By:
MR
Rev:

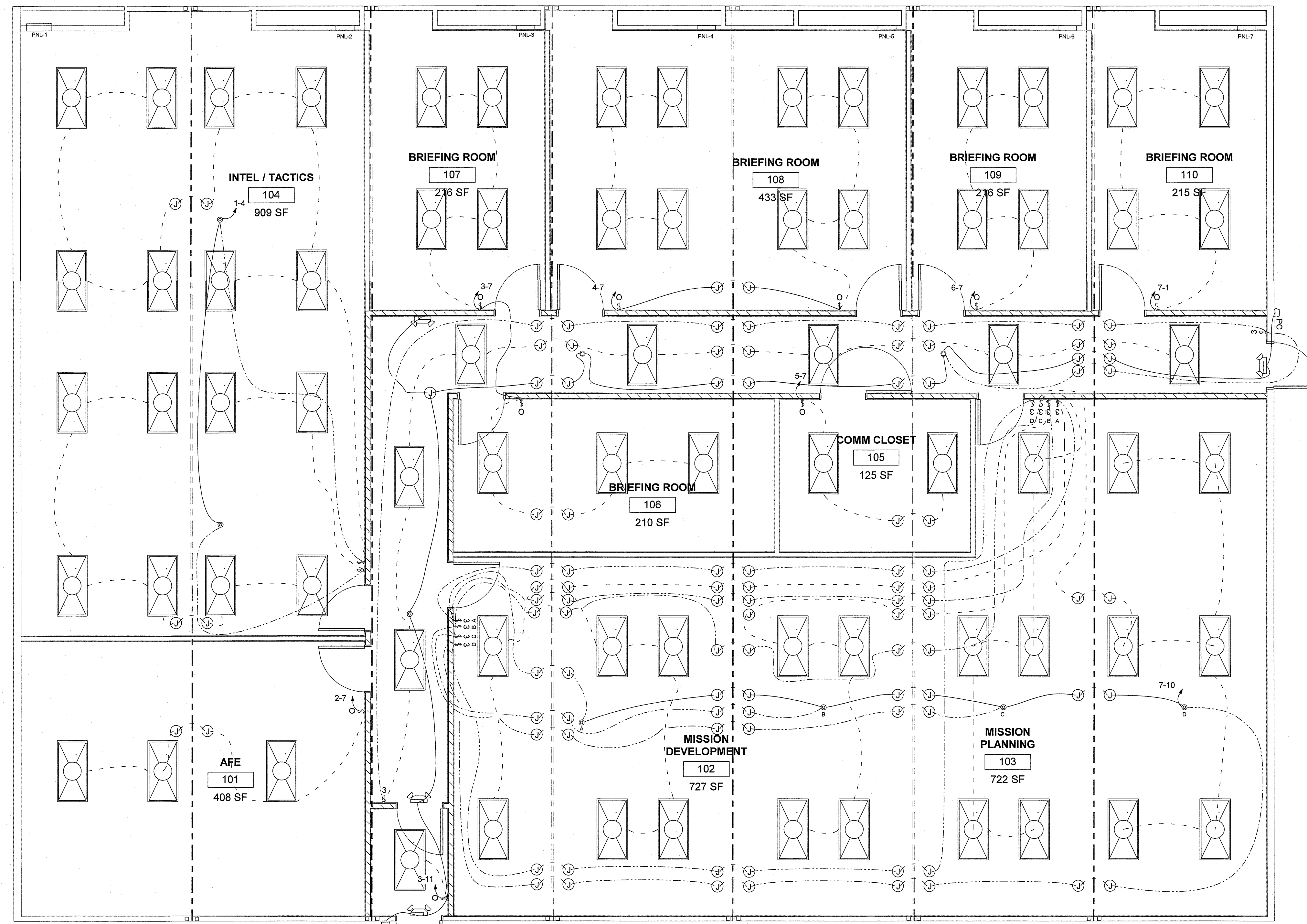
ELECTRICAL PLAN
CLEAR SPAN OUTFITTING
MGI
(7) 11'-9" x 64'-0" MODULES

Serial No. 1871-72, 1874-78	Date: 11-12-18
Quote No. 18-0237	Scale: 1/4" = 1'-0"
Model No. 7495	Page No.
Job No. 2018-055-WP	E2.1

2/21/2019 3:07:19 PM

WIRING LEGEND:
 120V = _____
 SWITCHLEG = - - - - -
 TRAVELER = _____
 MATELINE = - - - - -

ROOM	ROOM SQ. FT.	LUMINAIRE LUMENS	# OF FIXTURES	MAINTAINED ILLUMINATION (AT FLOOR)
#101	408 FT ²	3100	3	35 fc
#102	727 FT ²	3100	10	89 fc
#103	722 FT ²	3100	11	80 fc
#104	977 FT ²	3100	16	82 fc
#105	125 FT ²	3100	2	62 fc
#106	210 FT ²	3100	3	60 fc
#107	216 FT ²	3100	4	81 fc
#108	433 FT ²	3100	8	89 fc
#109	216 FT ²	3100	4	81 fc
#110	215 FT ²	3100	4	81 fc
Corridor	429 FT ²	3100	4	62 fc



NOTE:
 ADDED LIGHTING CONTROLS TO BE WIRED FROM
 EXISTING JUNCTION BOXES IN THE CEILING CAVITY

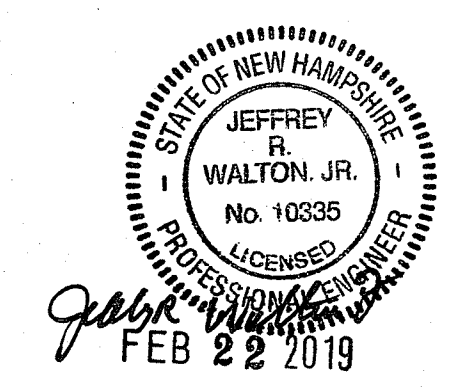
① Lighting Plan
 1/4" = 1'-0"

WHITLEY MANUFACTURING INC.
 201 WEST FIRST STREET
 SOUTH WHITLEY, INDIANA 46787-0496
 260-723-6131

APPROVED AS NOTED
 RETURN FOR CORRECTION

BY: _____
 DATE: _____

UPON APPROVAL, THESE DRAWINGS
 WILL TAKE PRECEDENCE OVER ALL
 PREVIOUS DRAWINGS FOR THIS
 PROJECT



No.	Description	Date	No.	Description	Date	THIS DRAWING AND ALL INFORMATION CONTAINED HEREON IS THE PROPERTY OF WHITLEY MFG. CO. INC., AND IS NOT TO BE REPRODUCED WITHOUT THE EXPRESS PERMISSION OF WHITLEY MFG. CO. INC. WHITLEY MFG. CO. INC. ASSUMES NO RESPONSIBILITY FOR UNAUTHORIZED USE OF THIS DRAWING.	Whitley East, LLC 64 HESS ROAD LEOLA, PA 17540 PHONE: 717.656.2081 www.whitleyman.com	Drawn By:	LIGHTING PLAN CLEAR SPAN OUTFITTING MGI (7) 11'-9" x 64'-0" MODULES	Serial No.	Date:
								Checked By:		1871-72, 1874-78	11-12-18
								MR		Quote No.	Scale:
								Rev:		18-0237	1/4" = 1'-0"
									Model No.	Page No.	
									7495	E3.1	
									Job No.	2018-055-WP	

WHITLEY MANUFACTURING CO., INC. ELECTRICAL LOAD CALCULATION

WHITLEY MANUFACTURING CO., INC. ELECTRICAL LOAD CALCULATION

WHITLEY MANUFACTURING CO., INC. ELECTRICAL LOAD CALCULATION

WHITLEY MANUFACTURING CO., INC. ELECTRICAL LOAD CALCULATION

Table with columns: WIRE SIZE, MOD., CIRC. #, BRKR. SIZE, DESCRIPTION, DEVICES QTY, PHASE A, PHASE B, WATTAGE OF DEVICE, TOTAL WATTS, FACTOR NEC 210-22c, TOTAL WATTS w/ FACTOR. Includes calculations for TOTAL ACTUAL WATTAGE and MAIN BREAKER SIZE.

Table with columns: WIRE SIZE, MOD., CIRC. #, BRKR. SIZE, DESCRIPTION, DEVICES QTY, PHASE A, PHASE B, WATTAGE OF DEVICE, TOTAL WATTS, FACTOR NEC 210-22c, TOTAL WATTS w/ FACTOR. Includes calculations for TOTAL ACTUAL WATTAGE and MAIN BREAKER SIZE.

Table with columns: WIRE SIZE, MOD., CIRC. #, BRKR. SIZE, DESCRIPTION, DEVICES QTY, PHASE A, PHASE B, WATTAGE OF DEVICE, TOTAL WATTS, FACTOR NEC 210-22c, TOTAL WATTS w/ FACTOR. Includes calculations for TOTAL ACTUAL WATTAGE and MAIN BREAKER SIZE.

Table with columns: WIRE SIZE, MOD., CIRC. #, BRKR. SIZE, DESCRIPTION, DEVICES QTY, PHASE A, PHASE B, WATTAGE OF DEVICE, TOTAL WATTS, FACTOR NEC 210-22c, TOTAL WATTS w/ FACTOR. Includes calculations for TOTAL ACTUAL WATTAGE and MAIN BREAKER SIZE.

NOTES: 1. The ID # is intended to identify a specific circuit breaker or location inside the loadcenter. 2. Circuits shall be balanced between phases as near as possible in accordance with N.E.C.

NOTES: 1. The ID # is intended to identify a specific circuit breaker or location inside the loadcenter. 2. Circuits shall be balanced between phases as near as possible in accordance with N.E.C.

NOTES: 1. The ID # is intended to identify a specific circuit breaker or location inside the loadcenter. 2. Circuits shall be balanced between phases as near as possible in accordance with N.E.C.

NOTES: 1. The ID # is intended to identify a specific circuit breaker or location inside the loadcenter. 2. Circuits shall be balanced between phases as near as possible in accordance with N.E.C.

WHITLEY MANUFACTURING CO., INC. ELECTRICAL LOAD CALCULATION

WHITLEY MANUFACTURING CO., INC. ELECTRICAL LOAD CALCULATION

WHITLEY MANUFACTURING CO., INC. ELECTRICAL LOAD CALCULATION

Table with columns: WIRE SIZE, MOD., CIRC. #, BRKR. SIZE, DESCRIPTION, DEVICES QTY, PHASE A, PHASE B, WATTAGE OF DEVICE, TOTAL WATTS, FACTOR NEC 210-22c, TOTAL WATTS w/ FACTOR. Includes calculations for TOTAL ACTUAL WATTAGE and MAIN BREAKER SIZE.

Table with columns: WIRE SIZE, MOD., CIRC. #, BRKR. SIZE, DESCRIPTION, DEVICES QTY, PHASE A, PHASE B, WATTAGE OF DEVICE, TOTAL WATTS, FACTOR NEC 210-22c, TOTAL WATTS w/ FACTOR. Includes calculations for TOTAL ACTUAL WATTAGE and MAIN BREAKER SIZE.

Table with columns: WIRE SIZE, MOD., CIRC. #, BRKR. SIZE, DESCRIPTION, DEVICES QTY, PHASE A, PHASE B, WATTAGE OF DEVICE, TOTAL WATTS, FACTOR NEC 210-22c, TOTAL WATTS w/ FACTOR. Includes calculations for TOTAL ACTUAL WATTAGE and MAIN BREAKER SIZE.

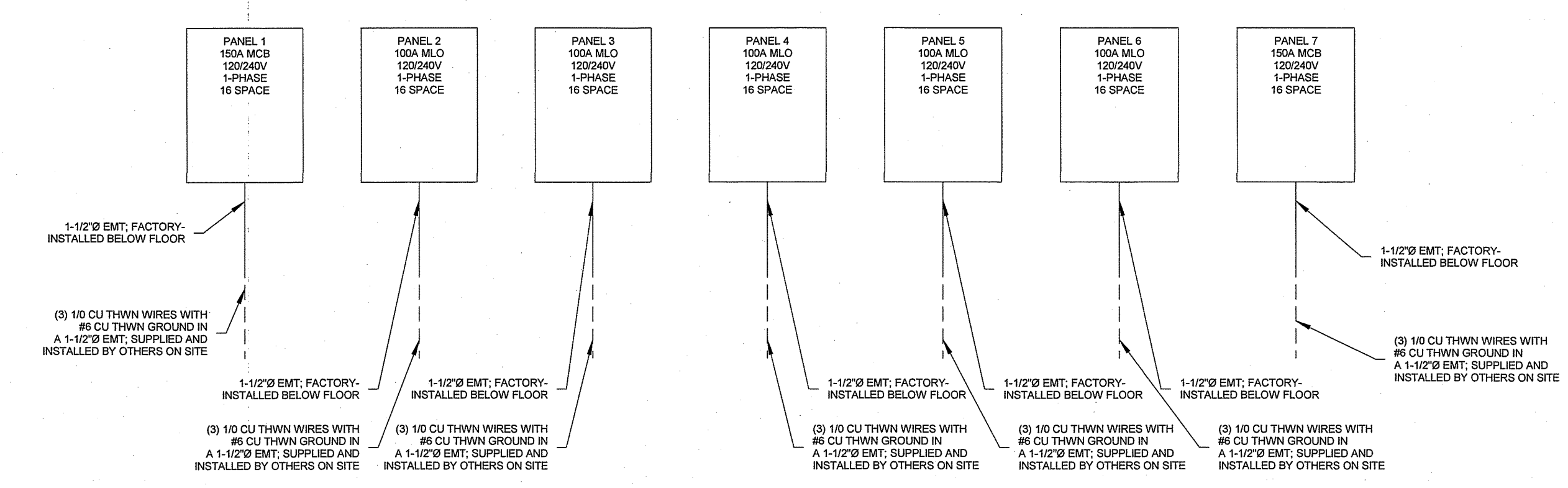
Table with columns: WIRE SIZE, MOD., CIRC. #, BRKR. SIZE, DESCRIPTION, DEVICES QTY, PHASE A, PHASE B, WATTAGE OF DEVICE, TOTAL WATTS, FACTOR NEC 210-22c, TOTAL WATTS w/ FACTOR. Includes calculations for TOTAL ACTUAL WATTAGE and MAIN BREAKER SIZE.

NOTES: 1. The ID # is intended to identify a specific circuit breaker or location inside the loadcenter. 2. Circuits shall be balanced between phases as near as possible in accordance with N.E.C.

NOTES: 1. The ID # is intended to identify a specific circuit breaker or location inside the loadcenter. 2. Circuits shall be balanced between phases as near as possible in accordance with N.E.C.

NOTES: 1. The ID # is intended to identify a specific circuit breaker or location inside the loadcenter. 2. Circuits shall be balanced between phases as near as possible in accordance with N.E.C.

NOTES: 1. The ID # is intended to identify a specific circuit breaker or location inside the loadcenter. 2. Circuits shall be balanced between phases as near as possible in accordance with N.E.C.



1 Single Line Diagram 3/4" = 1'-0"



Table with columns: No., Description, Date, No., Description, Date. Includes a disclaimer: THIS DRAWING AND ALL INFORMATION CONTAINED HEREON IS THE PROPERTY OF WHITLEY MFG. CO., INC.

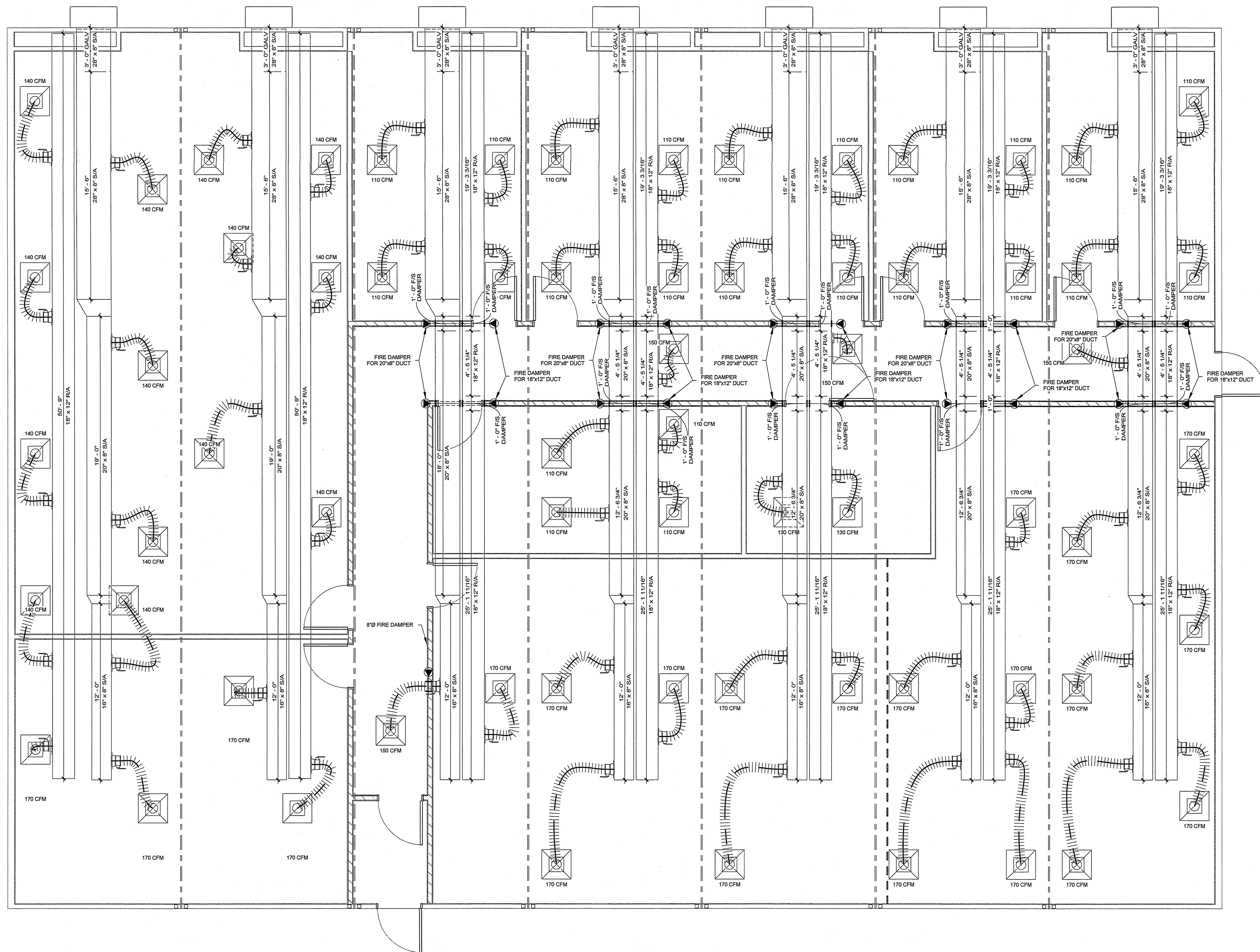
Whitley East, LLC 64 HESS ROAD LEOLA, PA 17540 PHONE: 717.656.2081 www.whitleyman.com

Drawn By: EP Checked By: MR Rev: (blank)

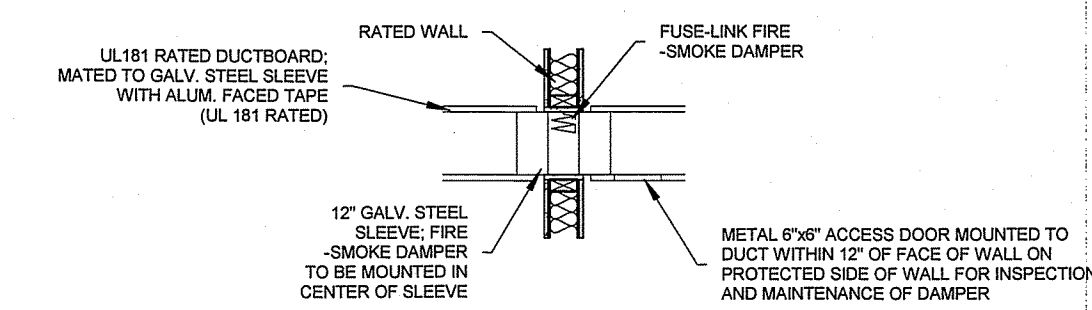
ELECTRICAL SCHEDULES CLEAR SPAN OUTFITTING MGI (7) 11'-9" x 64'-0" MODULES Serial No. 1871-72, 1874-78 Date: 11-12-18 Scale: 3/4" = 1'-0" Page No. 7495 Job No. 2018-055-WP E7.0

DUCT LEGEND

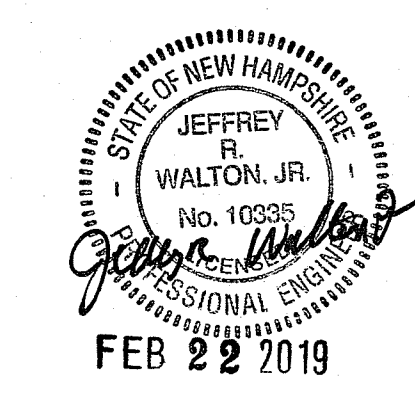
- S/A = SUPPLY AIR
- R/A = RETURN AIR
- EXH = EXHAUST AIR
- F/S = FIRE/SMOKE
- GALV = 26ga (MIN) GALVANIZED DUCT
- Ø = DIAMETER



① HVAC Plan
1/4" = 1'-0"



② Fire/Smoke Damper Detail
1/2" = 1'-0"



No.	Description	Date	No.	Description	Date

THIS DRAWING AND ALL INFORMATION CONTAINED HEREON IS THE PROPERTY OF WHITLEY MFG. CO., INC. AND IS NOT TO BE REPRODUCED WITHOUT THE EXPRESS PERMISSION OF WHITLEY MFG. CO., INC. WHITLEY MFG. CO., INC. ASSUMES NO RESPONSIBILITY FOR UNAUTHORIZED USE OF THIS DRAWING.

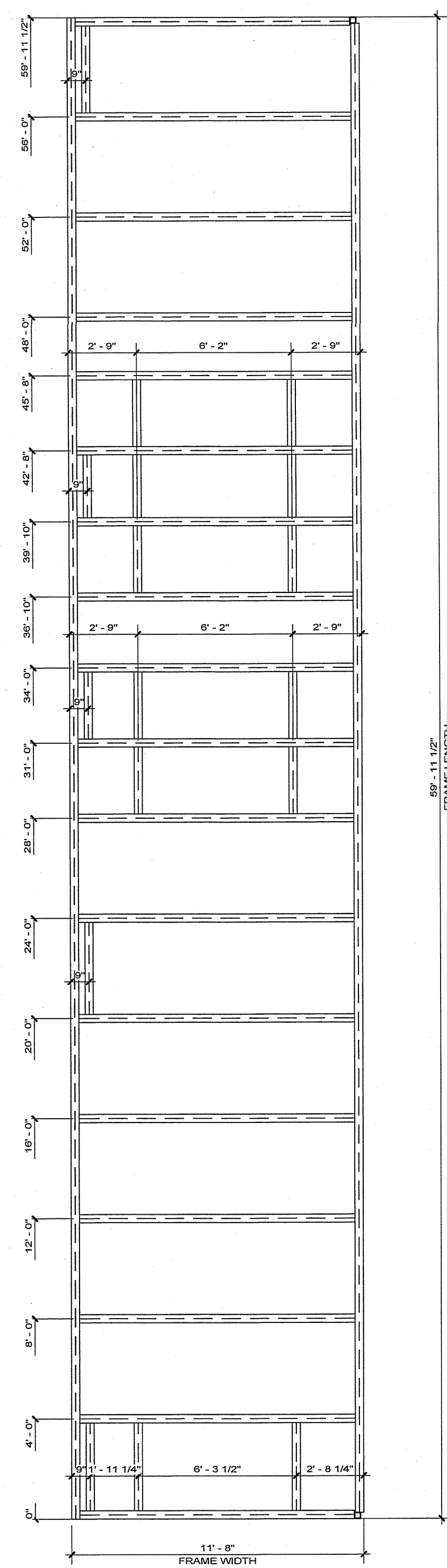
WM
WHITLEY MANUFACTURING

Whitley East, LLC
64 HESS ROAD
LEOLA, PA 17540
PHONE: 717.656.2081
www.whitleyman.com

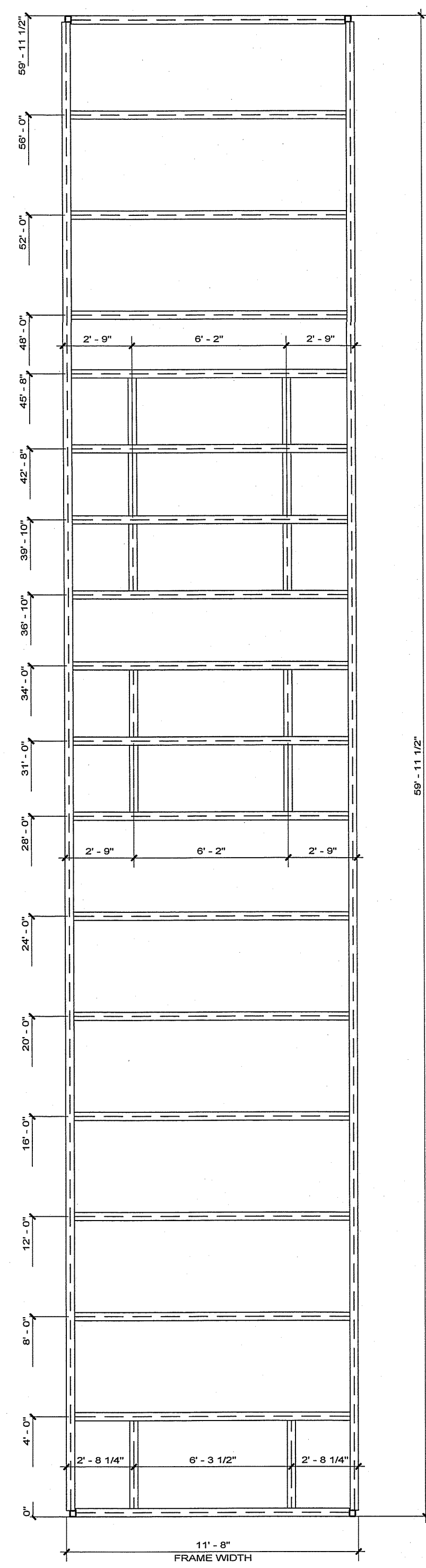
Drawn By:
DR/EP
Checked By:
MR
Rev:

MECHANICAL PLAN
CLEAR SPAN OUTFITTING
MGI
(7) 11'-9" x 64'-0" MODULES

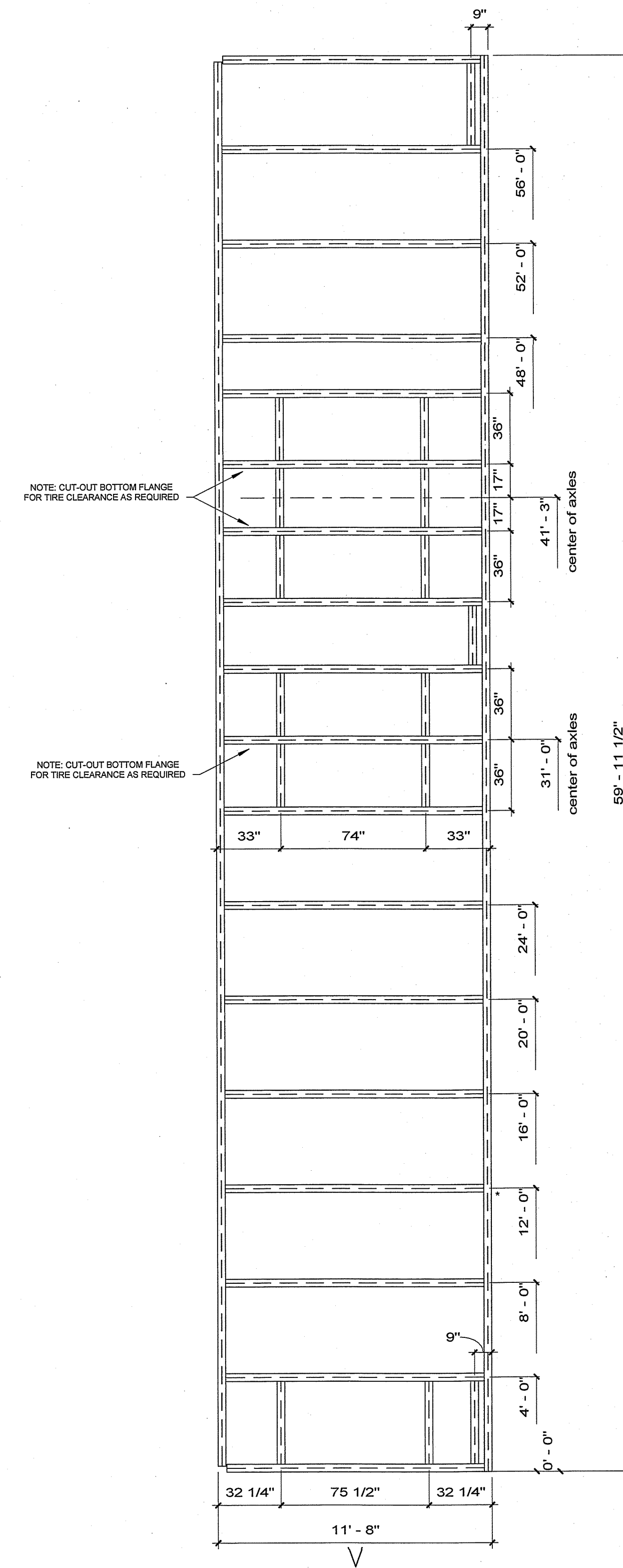
Serial No. 1871-72, 1874-78	Date: 11-12-18
Quote No. 18-0237	Scale: As indicated
Model No. 7495	Page No. M2.1
Job No. 2018-055-WP	



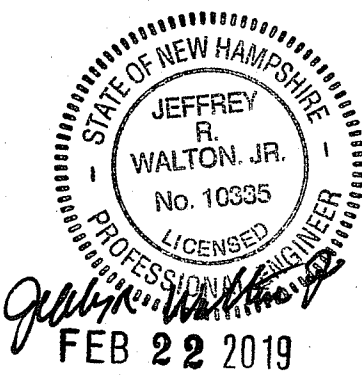
② Left Sidewall Module Typ Frame Plan
1/4" = 1'-0"



① Center Module Typ Frame Plan
1/4" = 1'-0"



③ Right Sidewall Module Typ Frame Plan
1/4" = 1'-0"



No.	Description	Date	No.	Description	Date

THIS DRAWING AND ALL INFORMATION CONTAINED HEREON IS THE PROPERTY OF WHITLEY MFG. CO. INC. AND IS NOT TO BE REPRODUCED WITHOUT THE EXPRESS PERMISSION OF WHITLEY MFG. CO. INC. WHITLEY MFG. CO. INC. ASSUMES NO RESPONSIBILITY FOR UNAUTHORIZED USE OF THIS DRAWING.

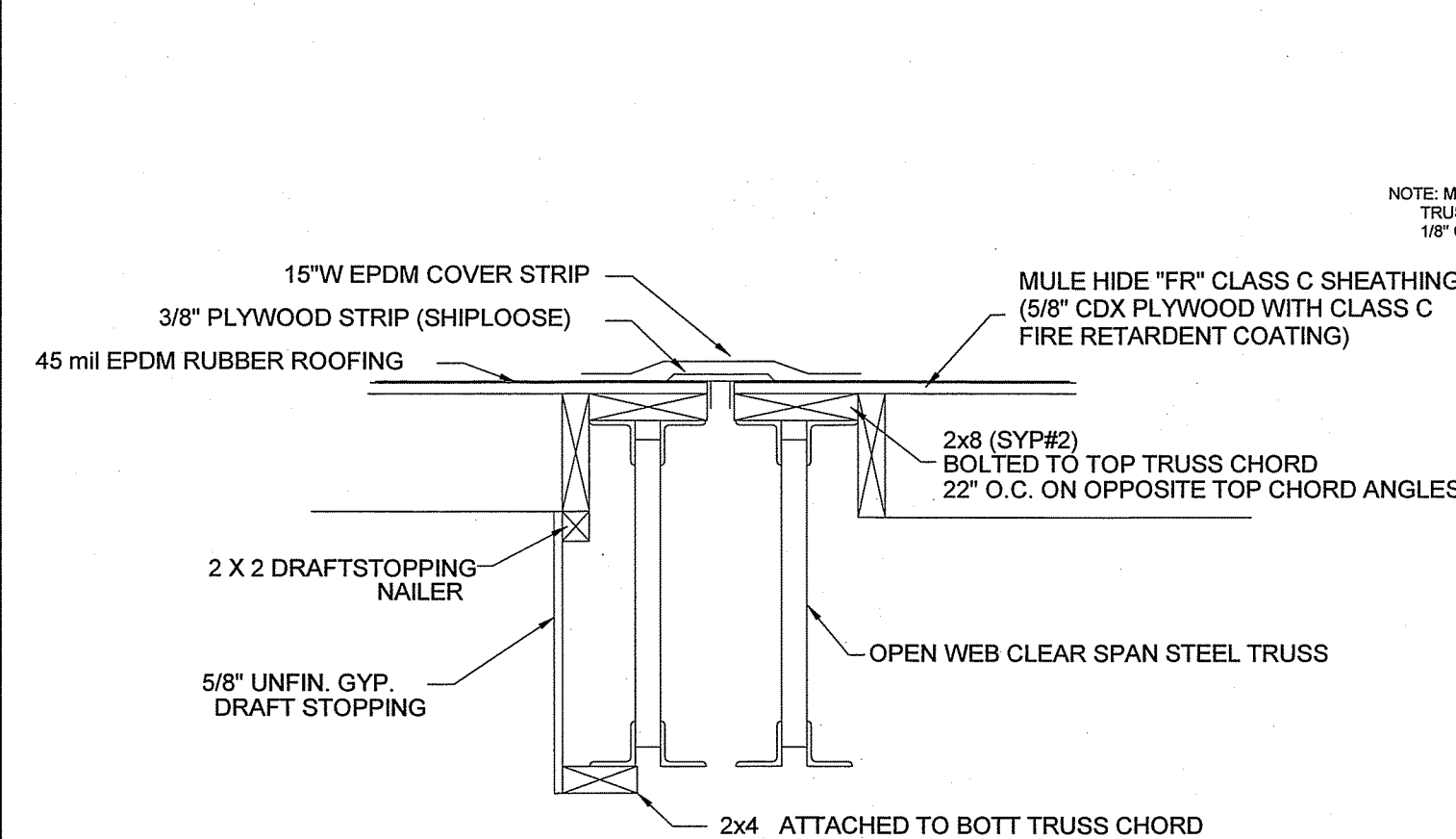


Whitley East, LLC
64 HESS ROAD
LEOLA, PA 17540
PHONE: 717.656.2081
www.whitleyman.com

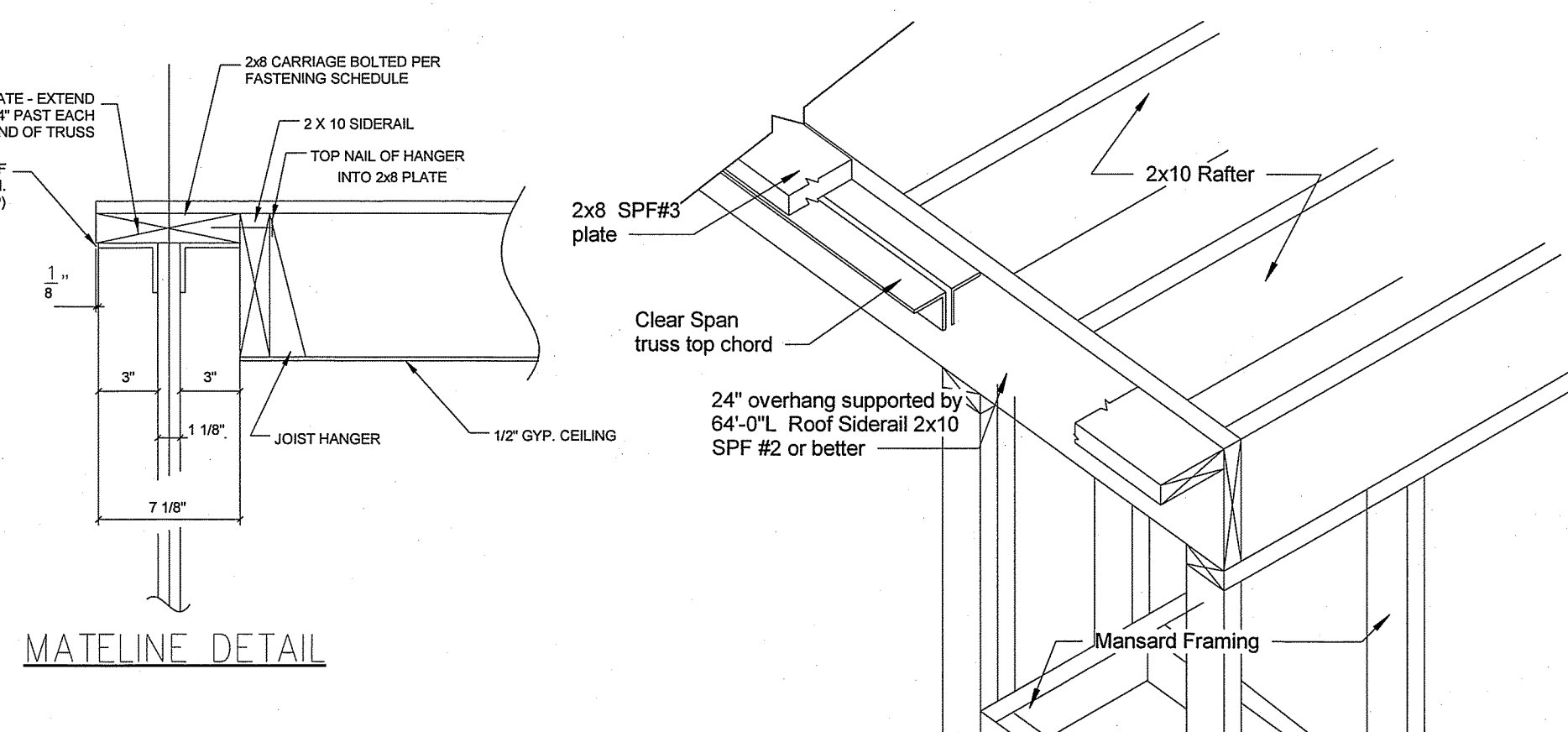
Drawn By: EP
Checked By: MR
Rev:

FRAME PLAN
CLEAR SPAN OUTFITTING
MGI
(7) 11'-9" x 64'-0" MODULES

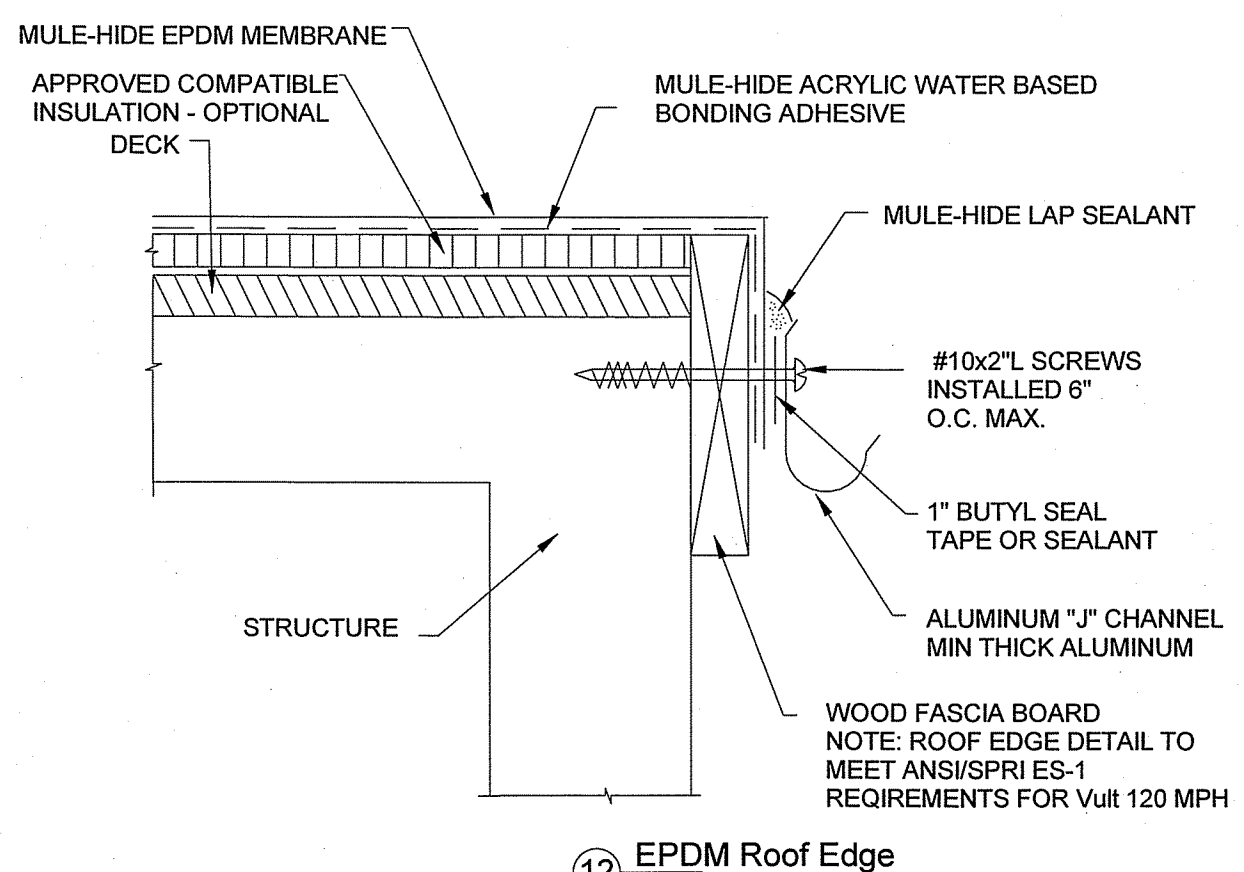
Serial No. 1871-72, 1874-78	Date: 11-12-18
Quote No. 18-0237	Scale: 1/4" = 1'-0"
Model No. 7495	Page No.
Job No. 2018-055-WP	S1.1



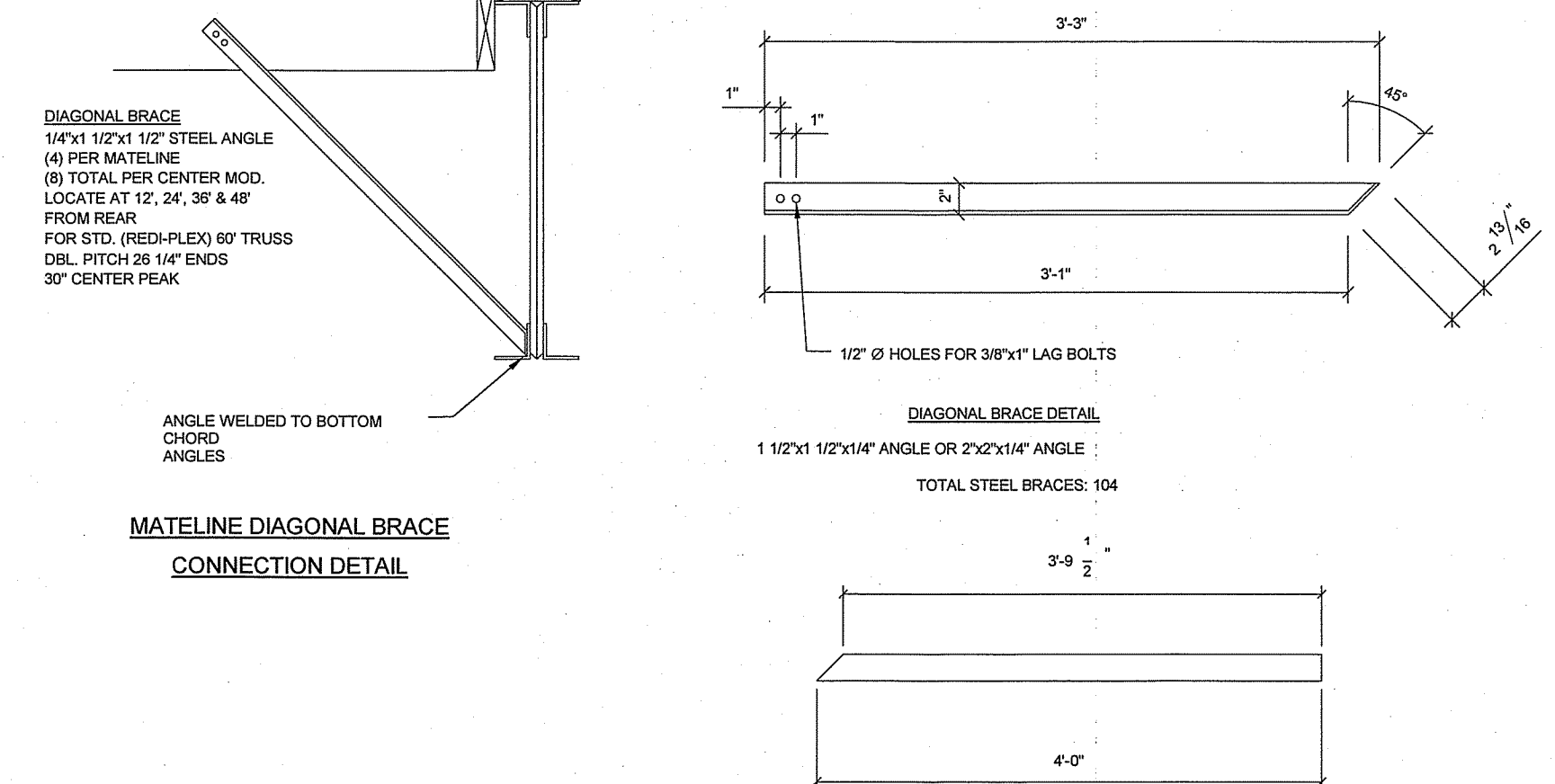
MATELINE DRAFT STOP DETAIL
NOTE: DRAFT STOP TO BE INSTALLED @ (4) MODULES INTERVALS (5) UNIT BUILDING ONLY - AT MOD 4/5 MATELINE



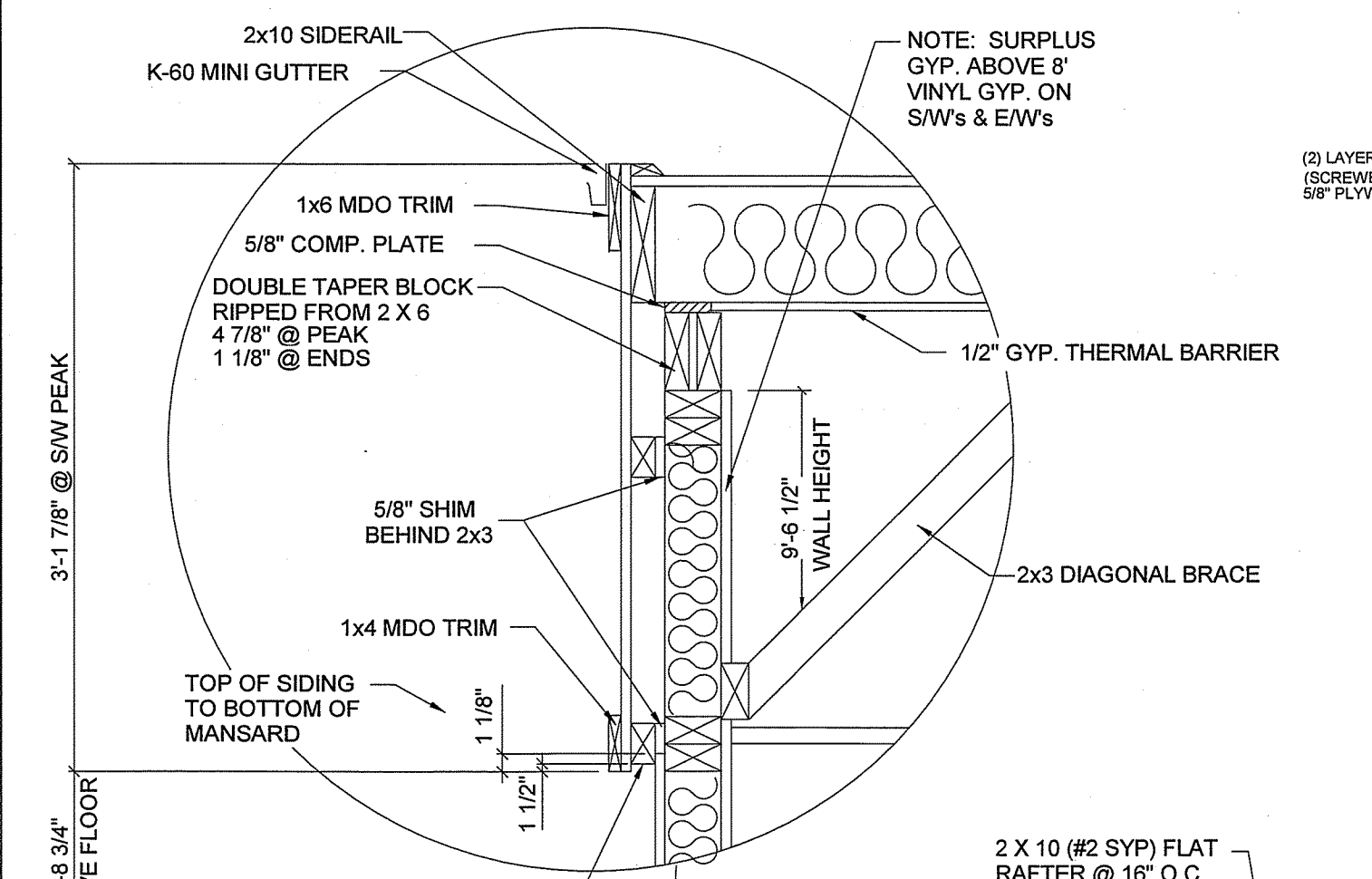
MATELINE DETAIL



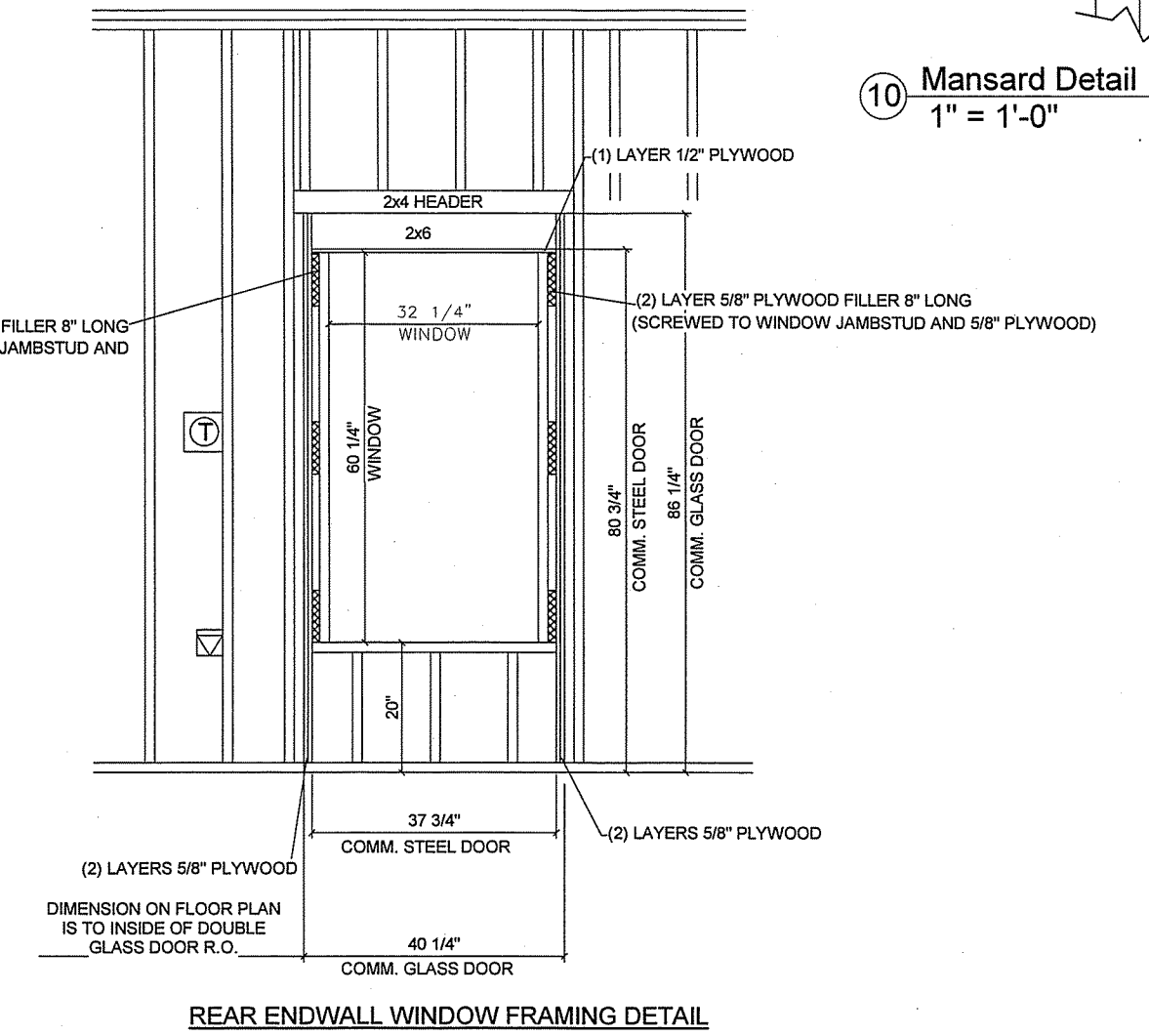
EPDM Roof Edge 1/2" = 1'-0"



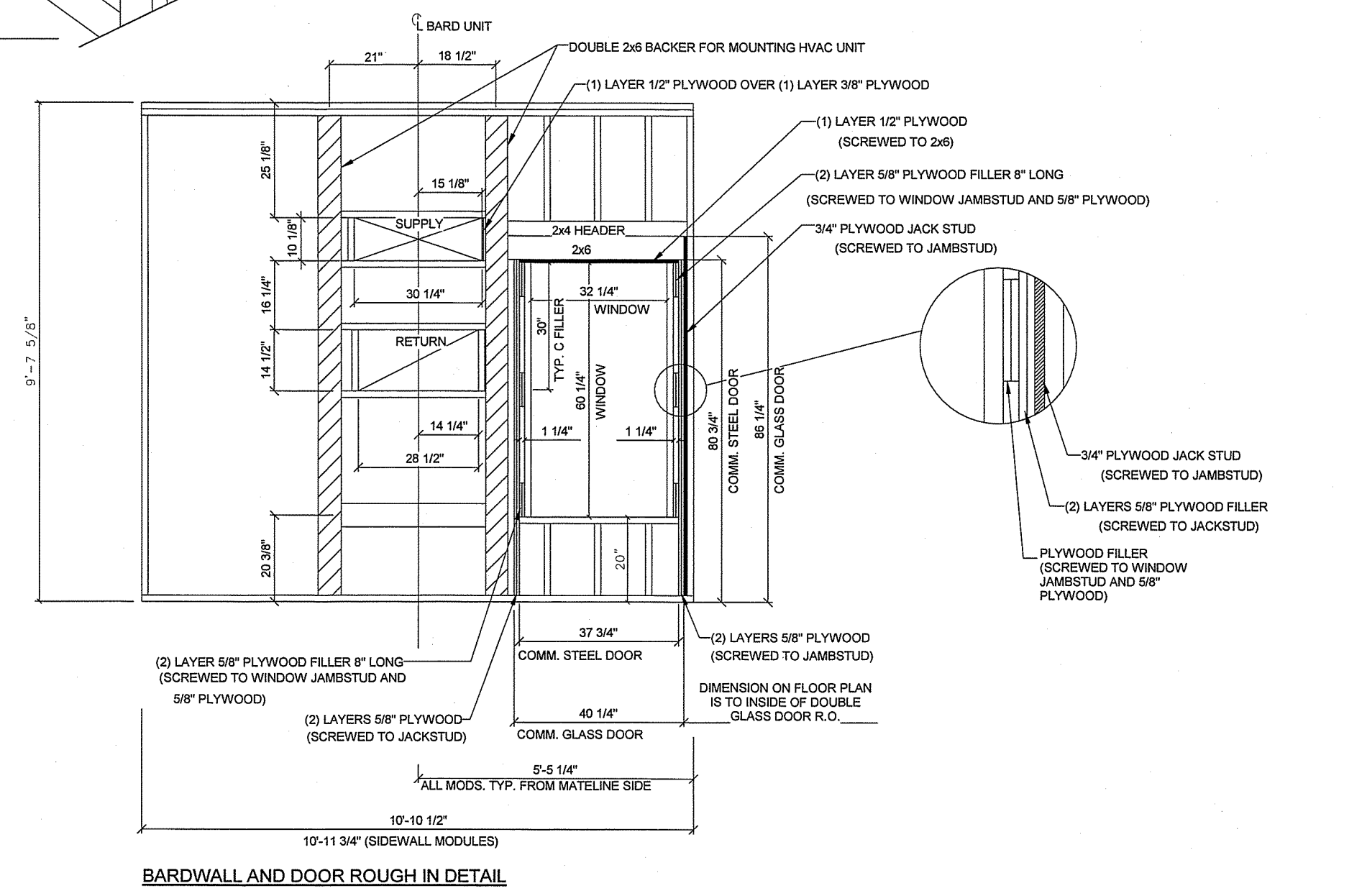
MATELINE DIAGONAL BRACE CONNECTION DETAIL



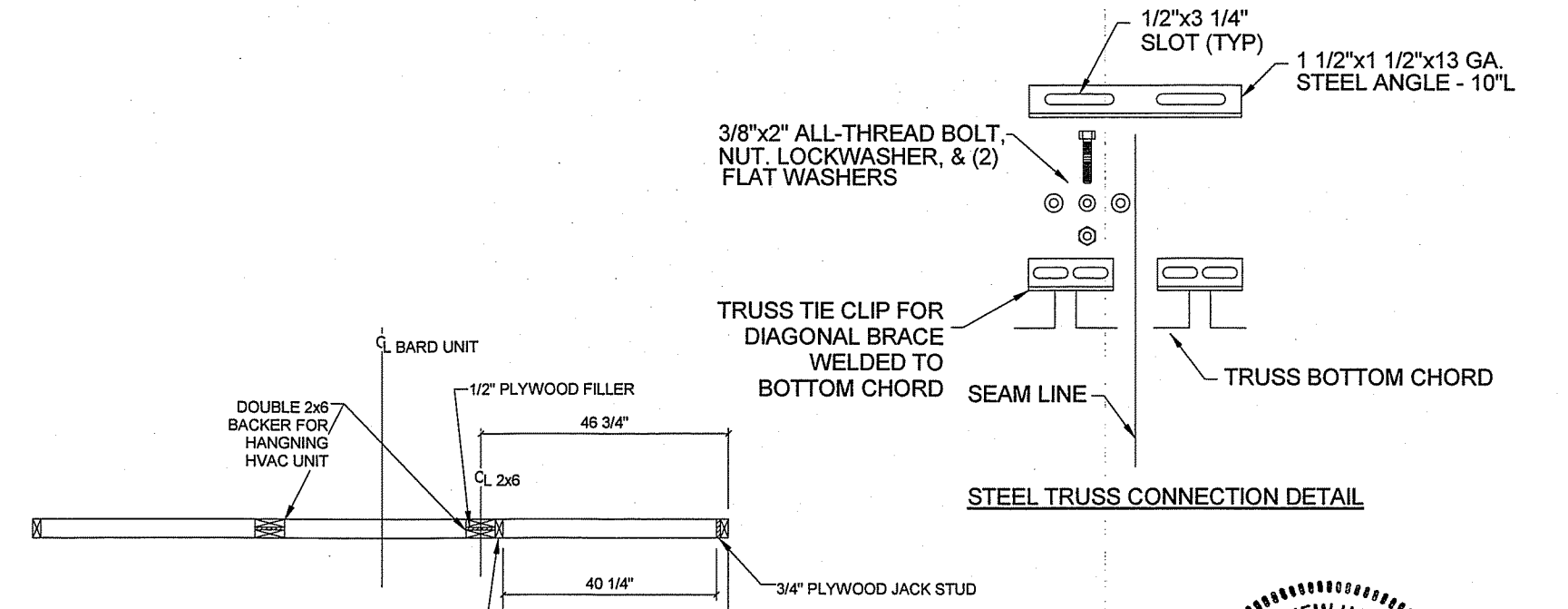
3'-1 7/8" @ SW PEAK
7'-8 3/4" ABOVE FLOOR



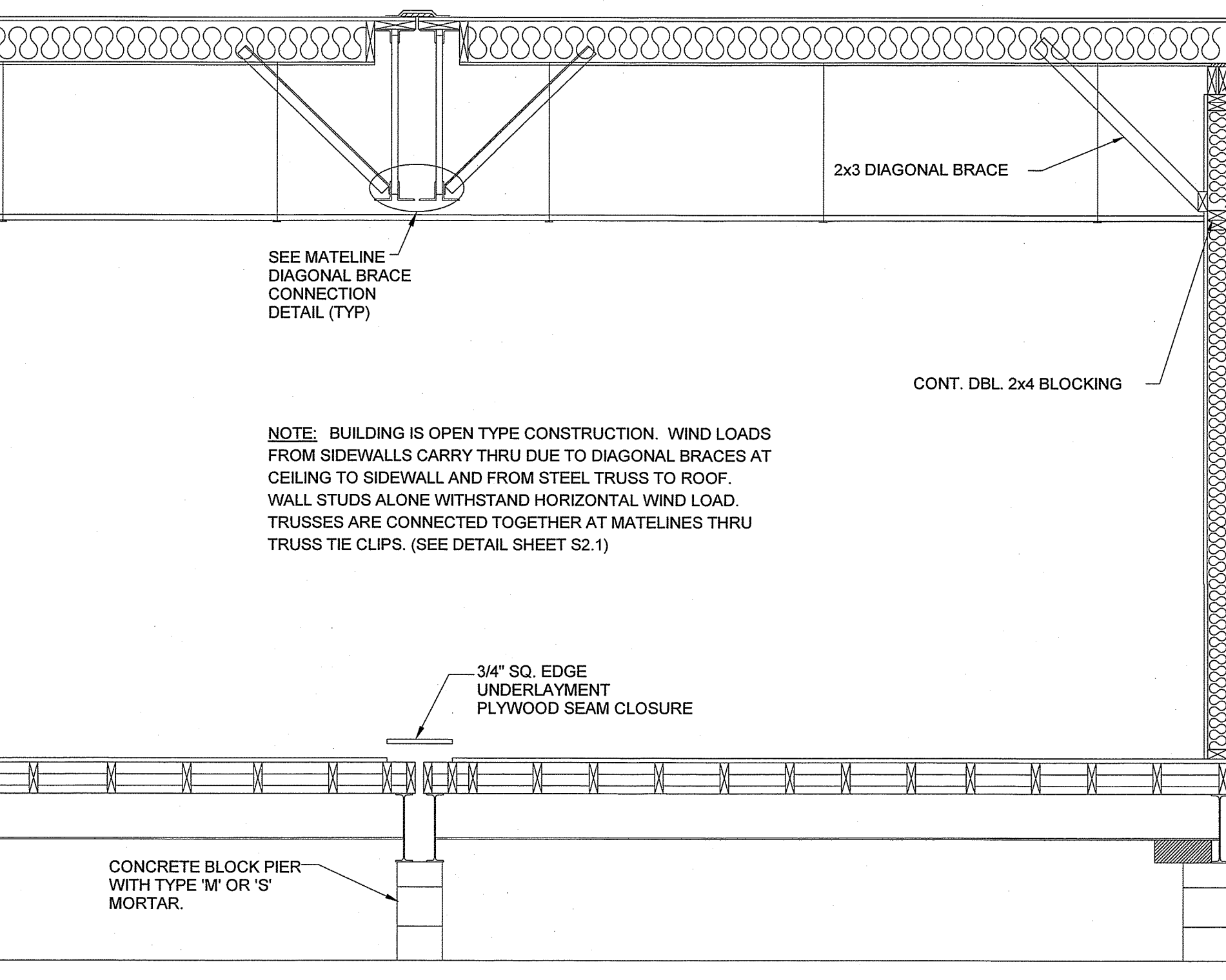
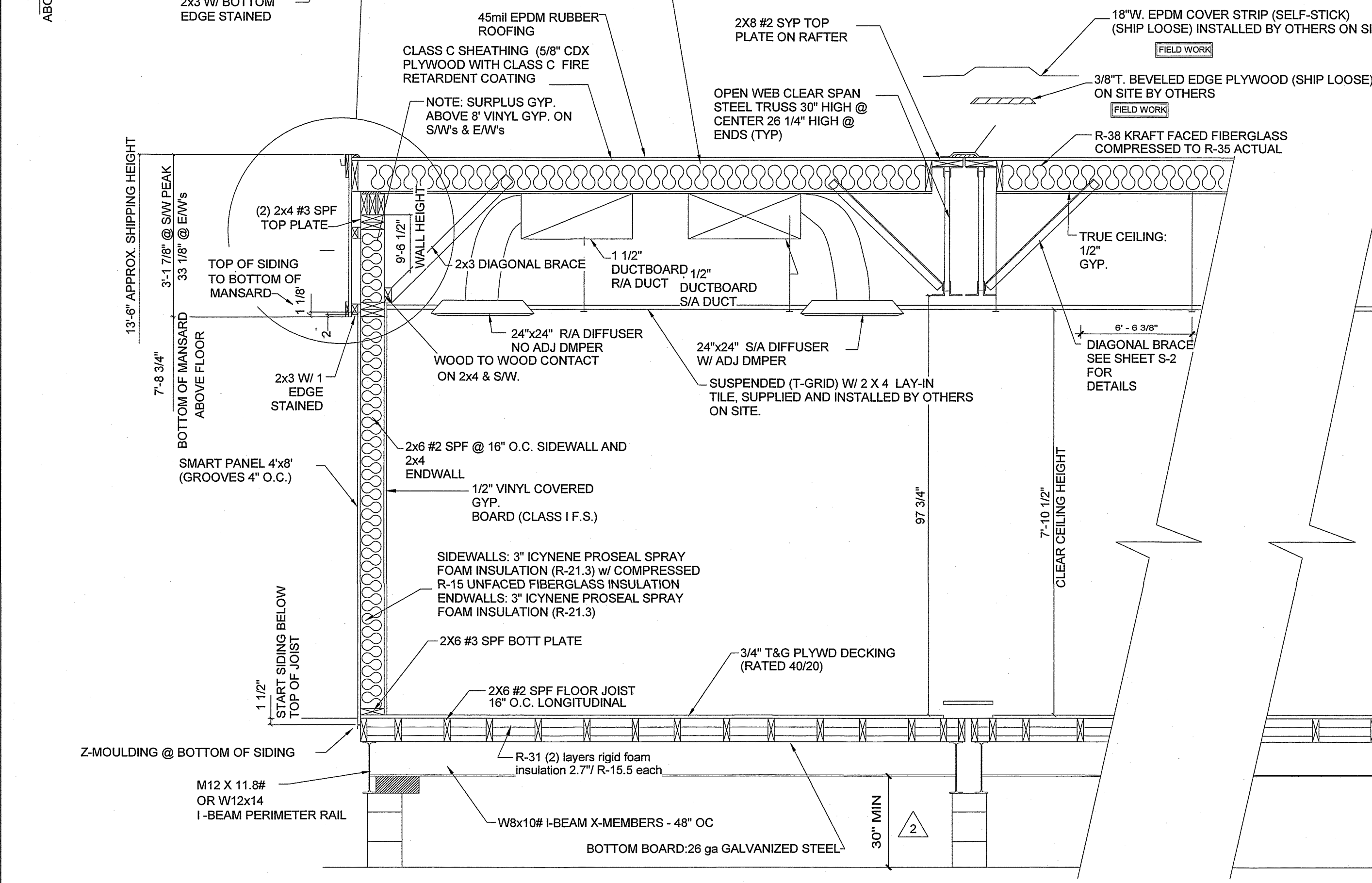
REAR ENDWALL WINDOW FRAMING DETAIL



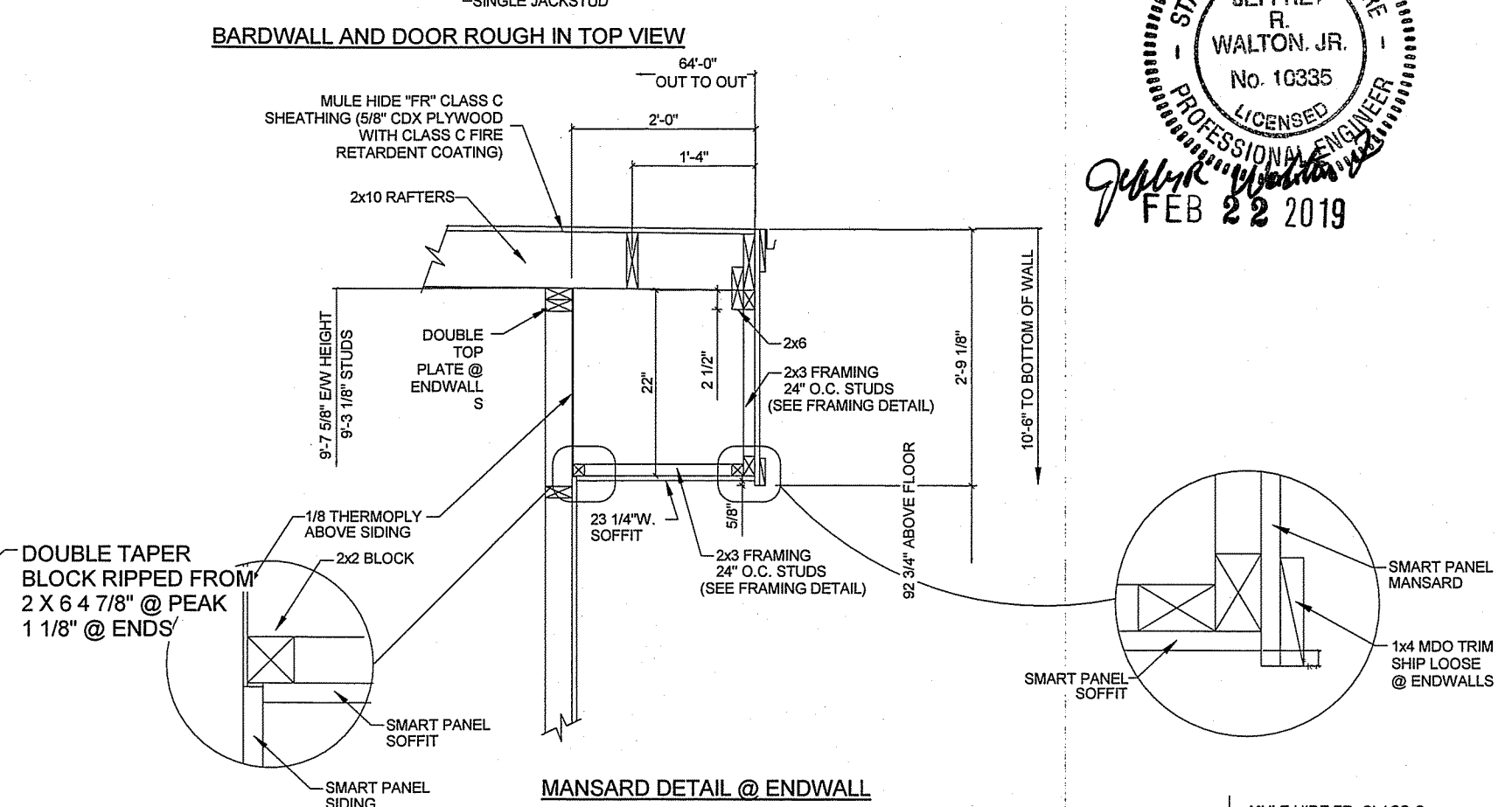
BARDWALL AND DOOR ROUGH IN DETAIL



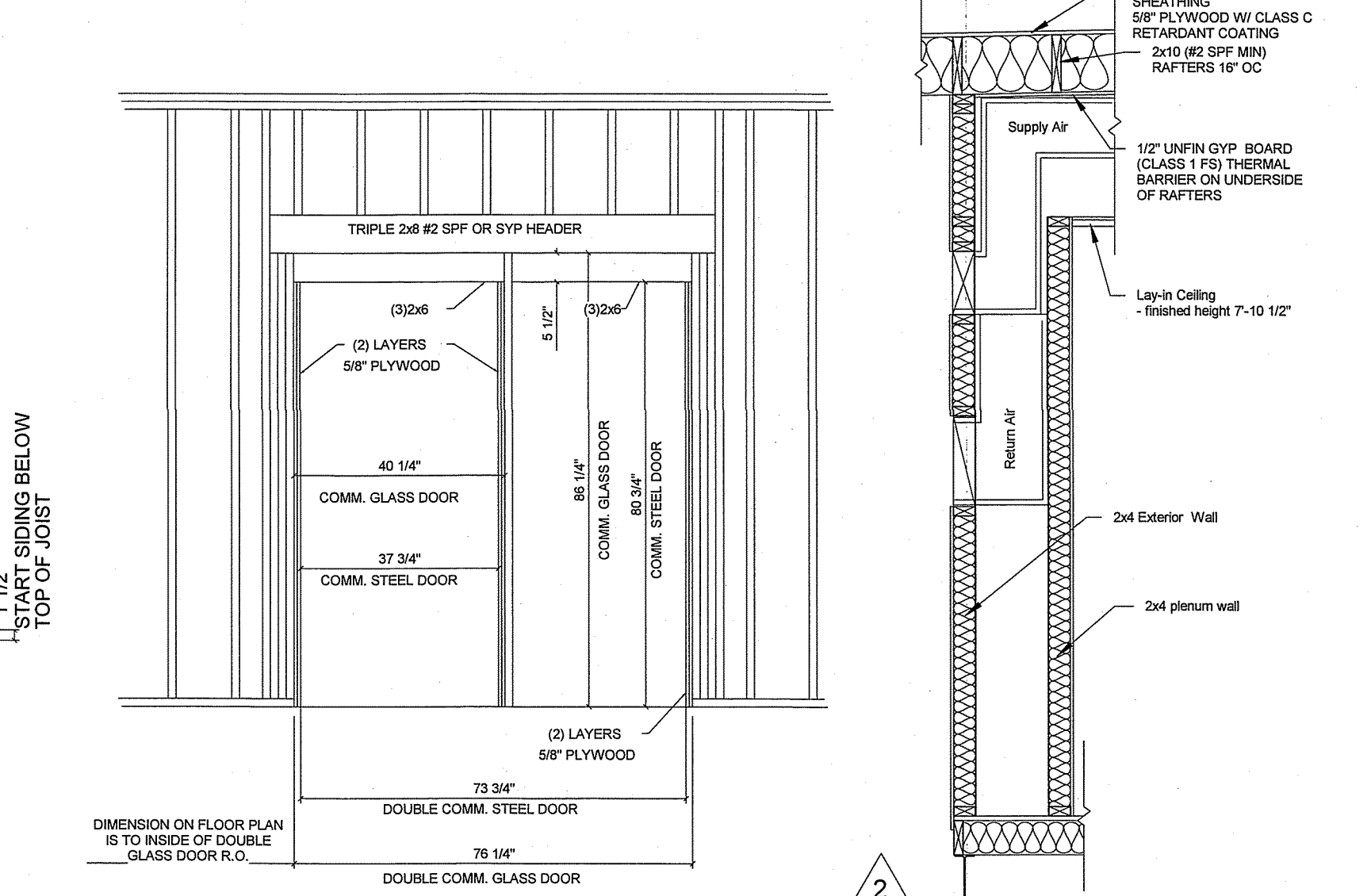
STEEL TRUSS CONNECTION DETAIL



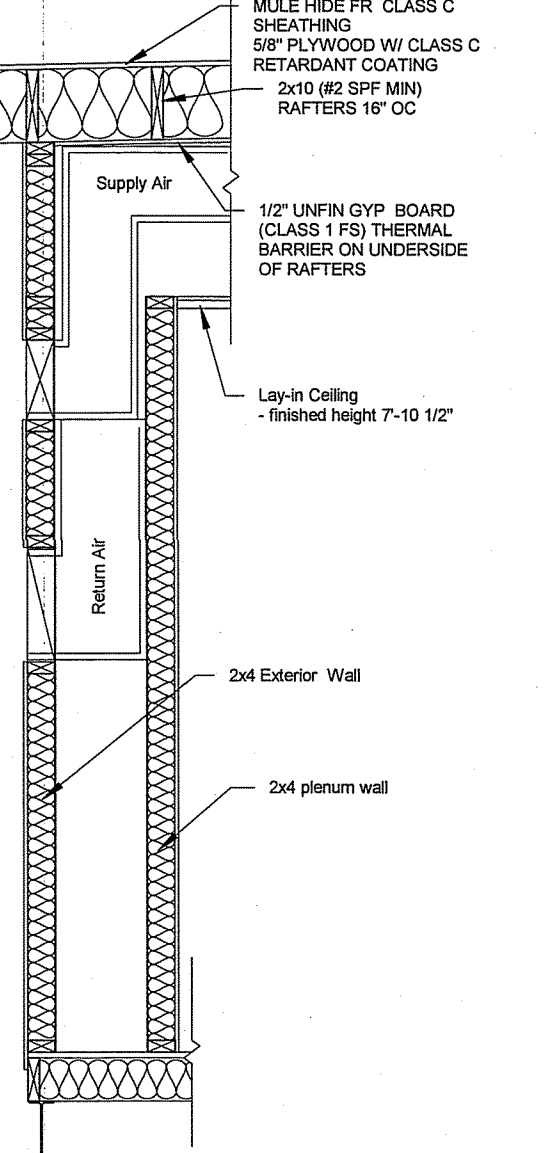
MANSARD DETAIL @ ENDWALL



BARDWALL AND DOOR ROUGH IN TOP VIEW



DOUBLE DOOR FRAMING DETAIL



Mechanical Chase Section 1/2" = 1'-0"

No.	Description	Date	No.	Description	Date

THIS DRAWING AND ALL INFORMATION CONTAINED HEREON IS THE PROPERTY OF WHITLEY MFG. CO., INC. AND IS NOT TO BE REPRODUCED WITHOUT THE EXPRESS PERMISSION OF WHITLEY MFG. CO., INC. WHITLEY MFG. CO., INC. ASSUMES NO RESPONSIBILITY FOR UNAUTHORIZED USE OF THIS DRAWING.

WM
Whitley Manufacturing

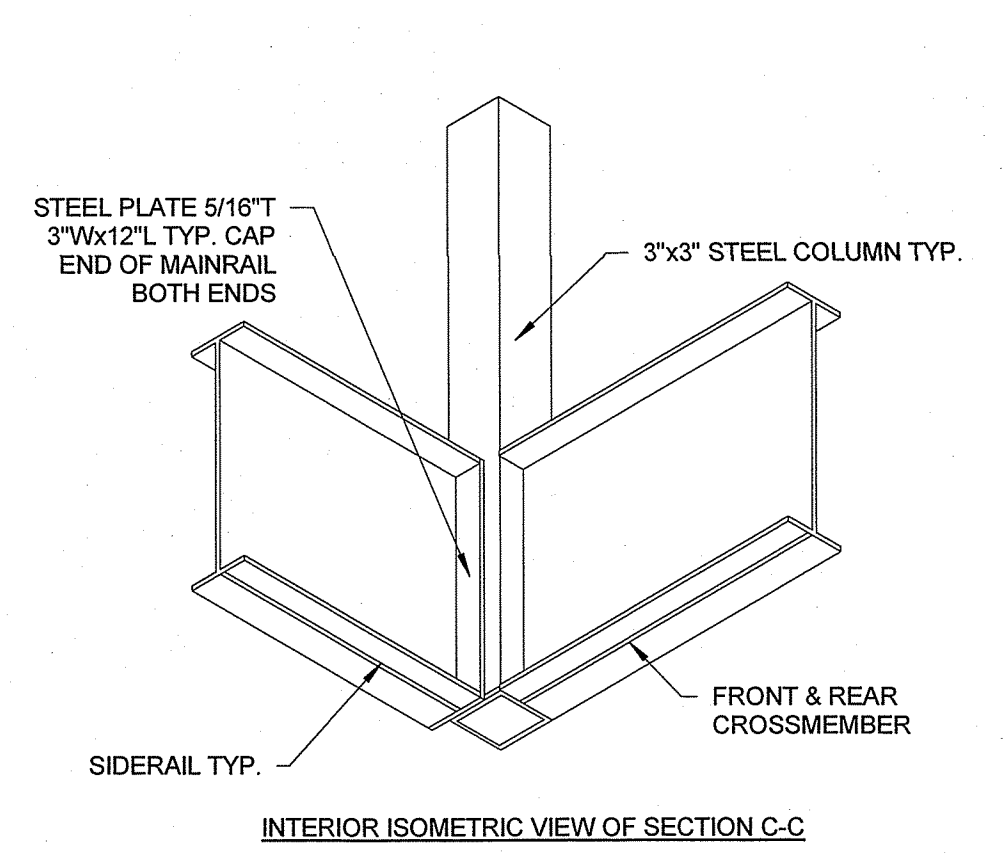
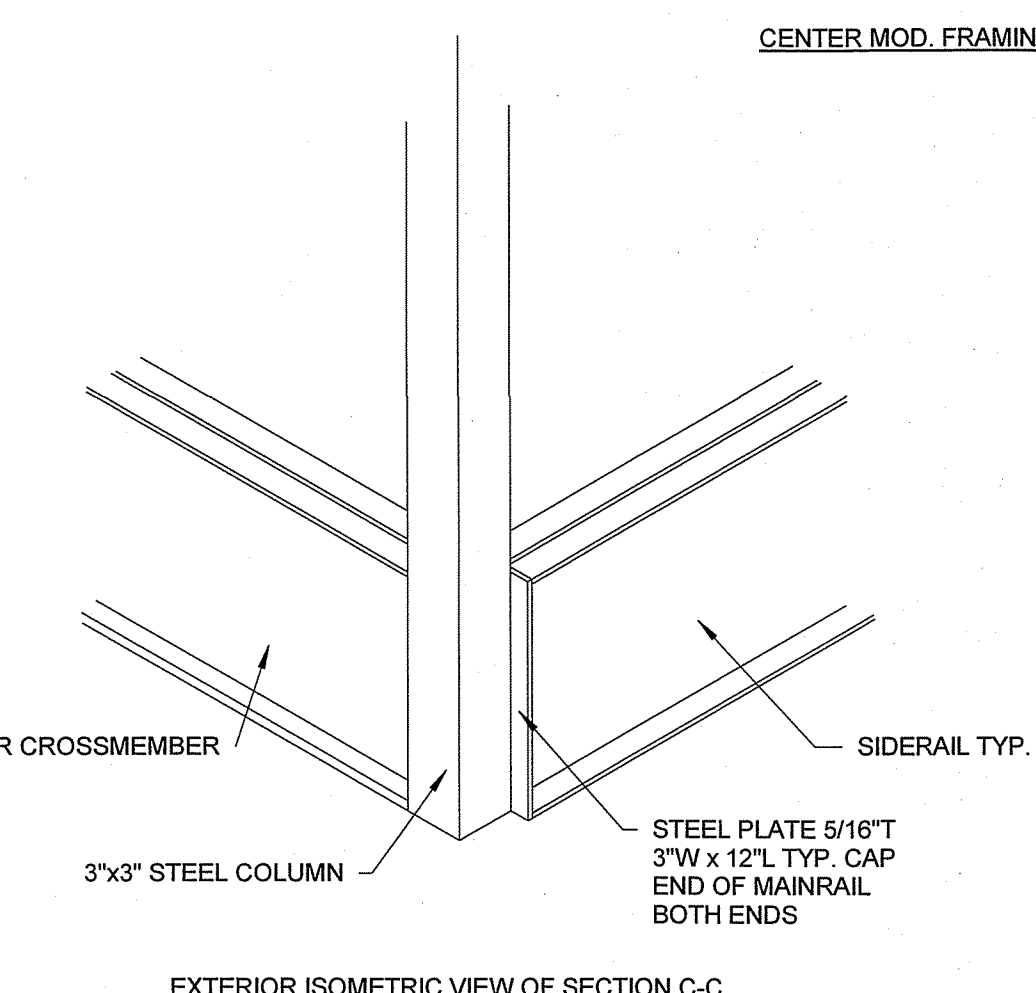
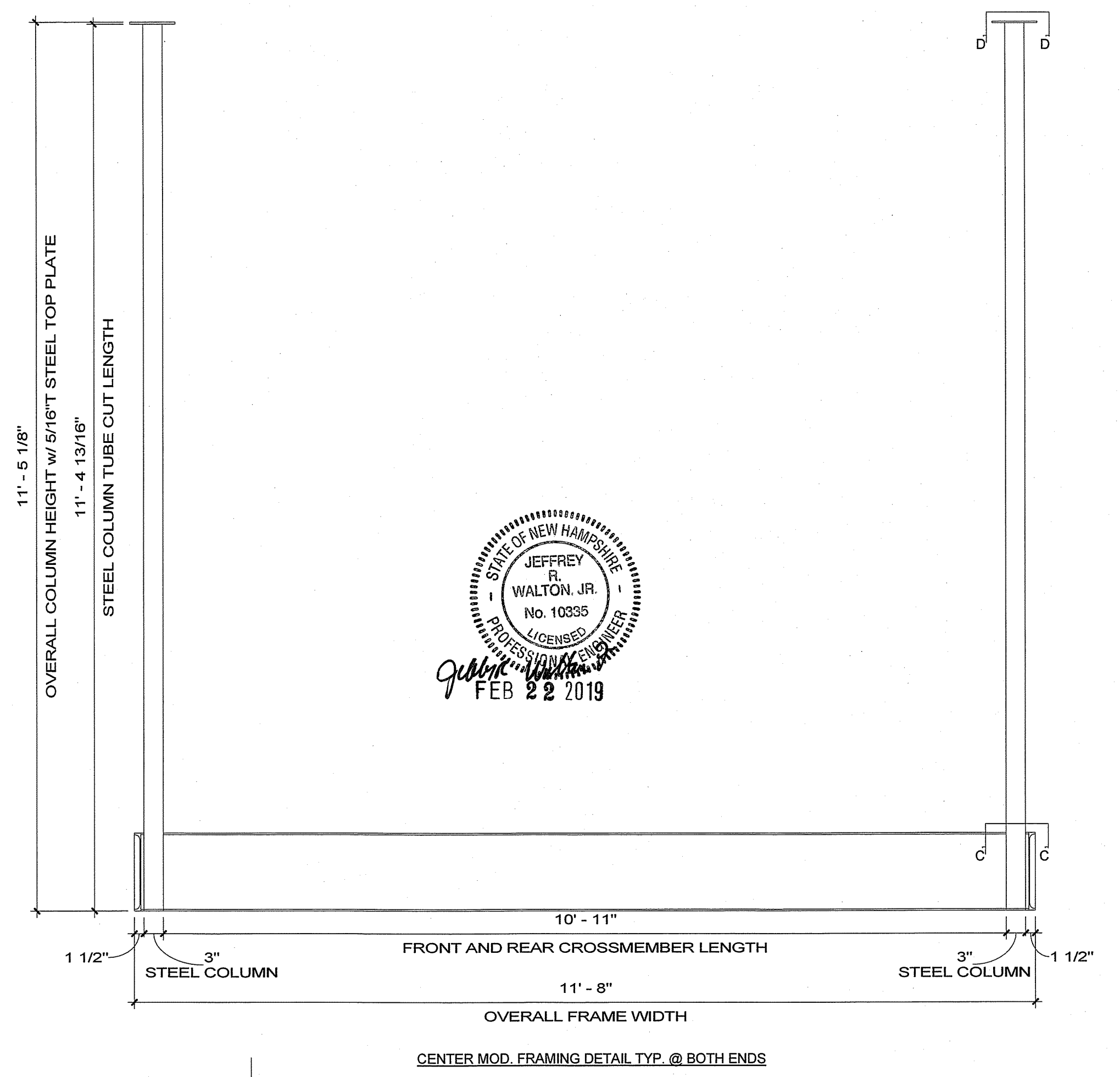
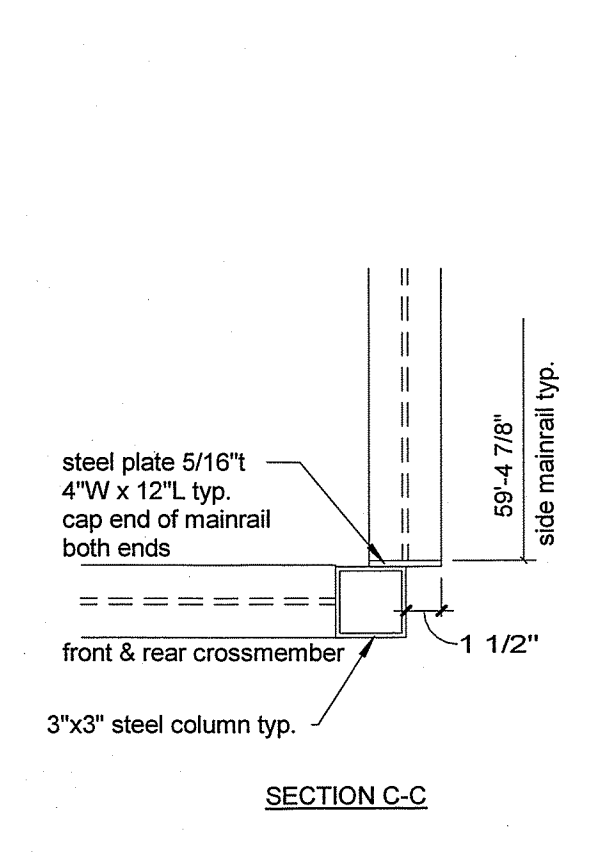
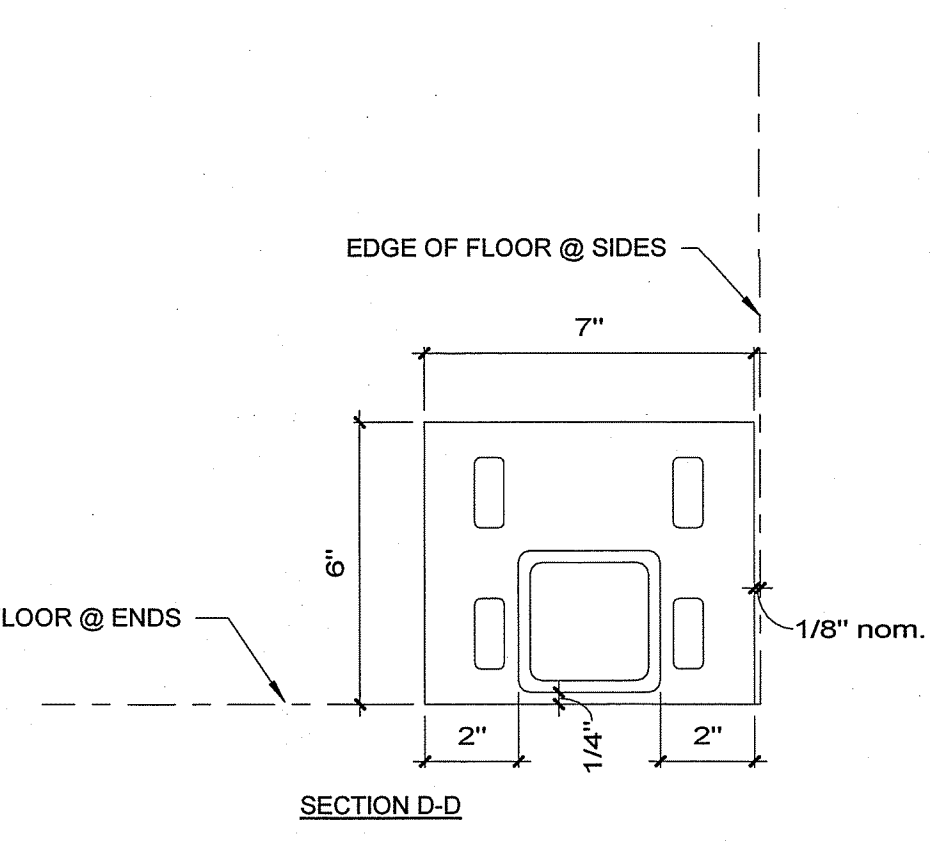
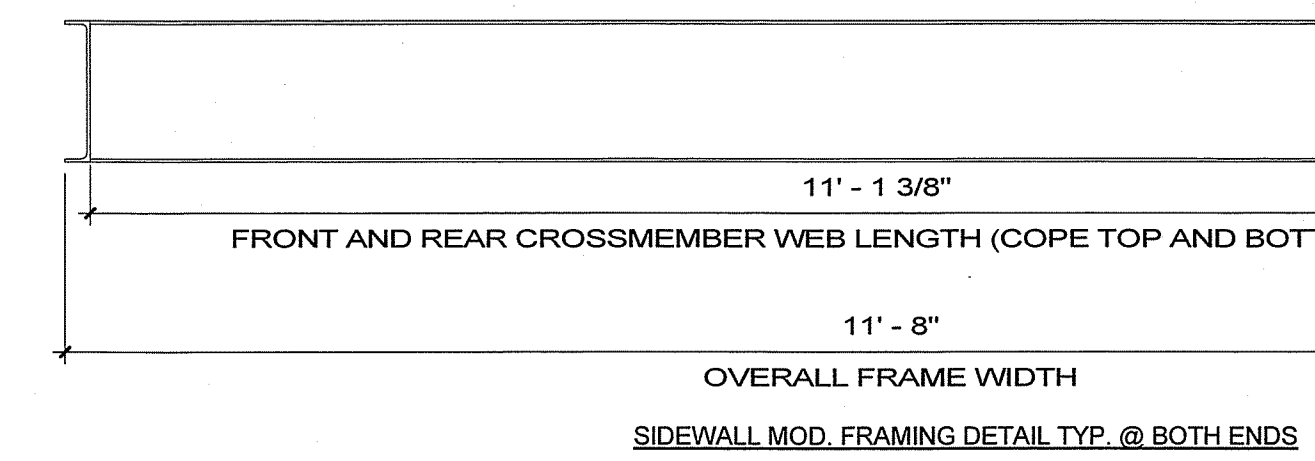
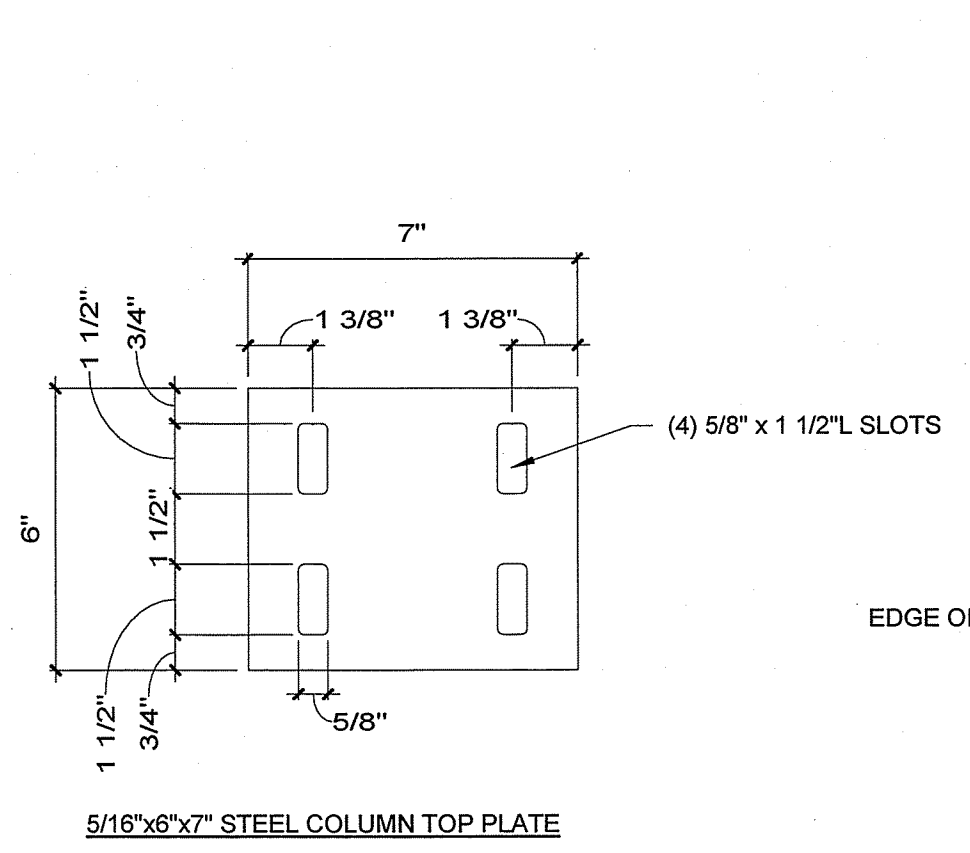
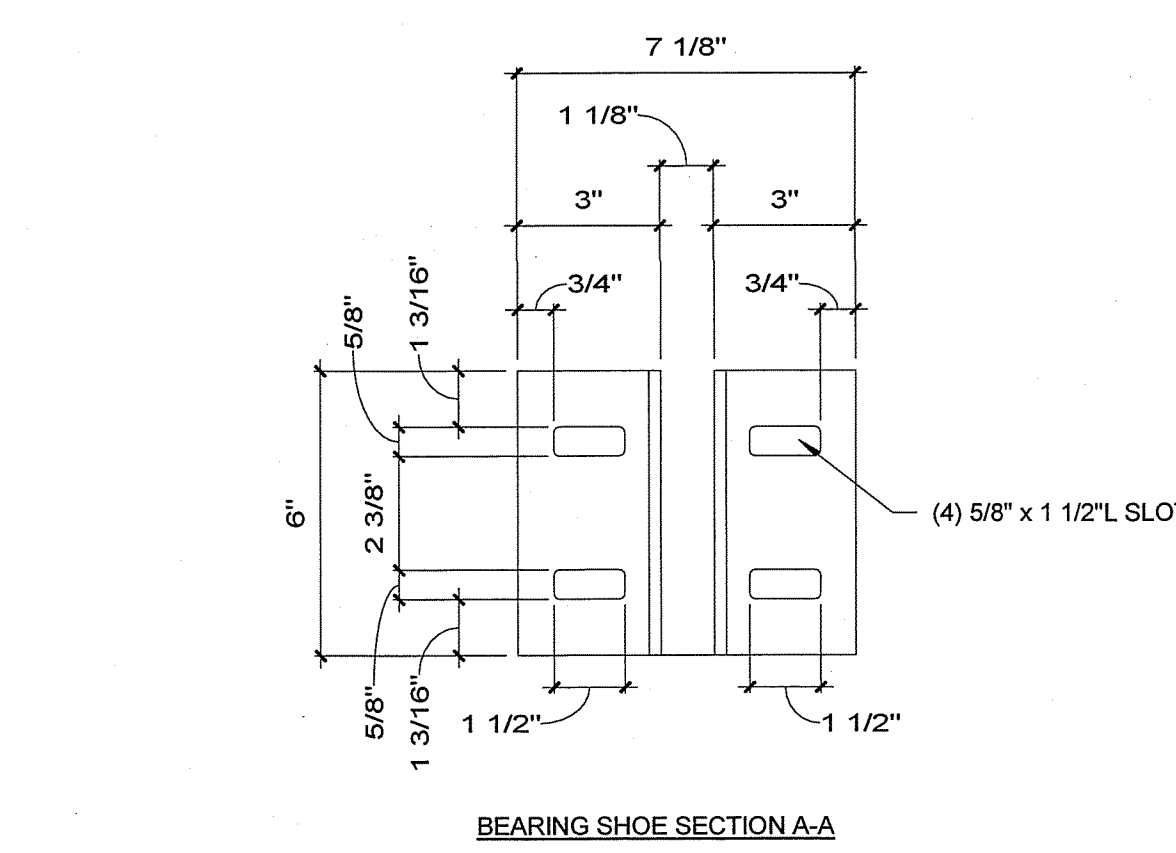
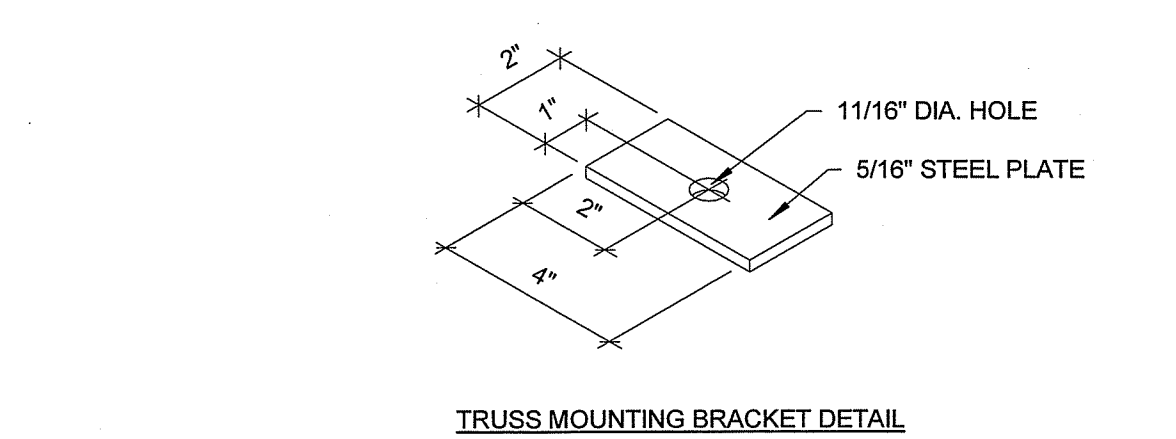
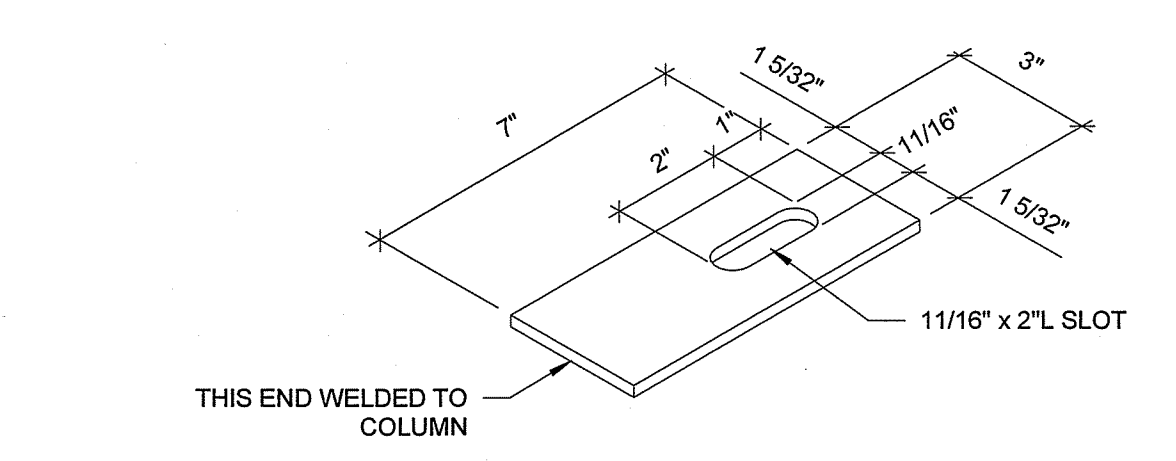
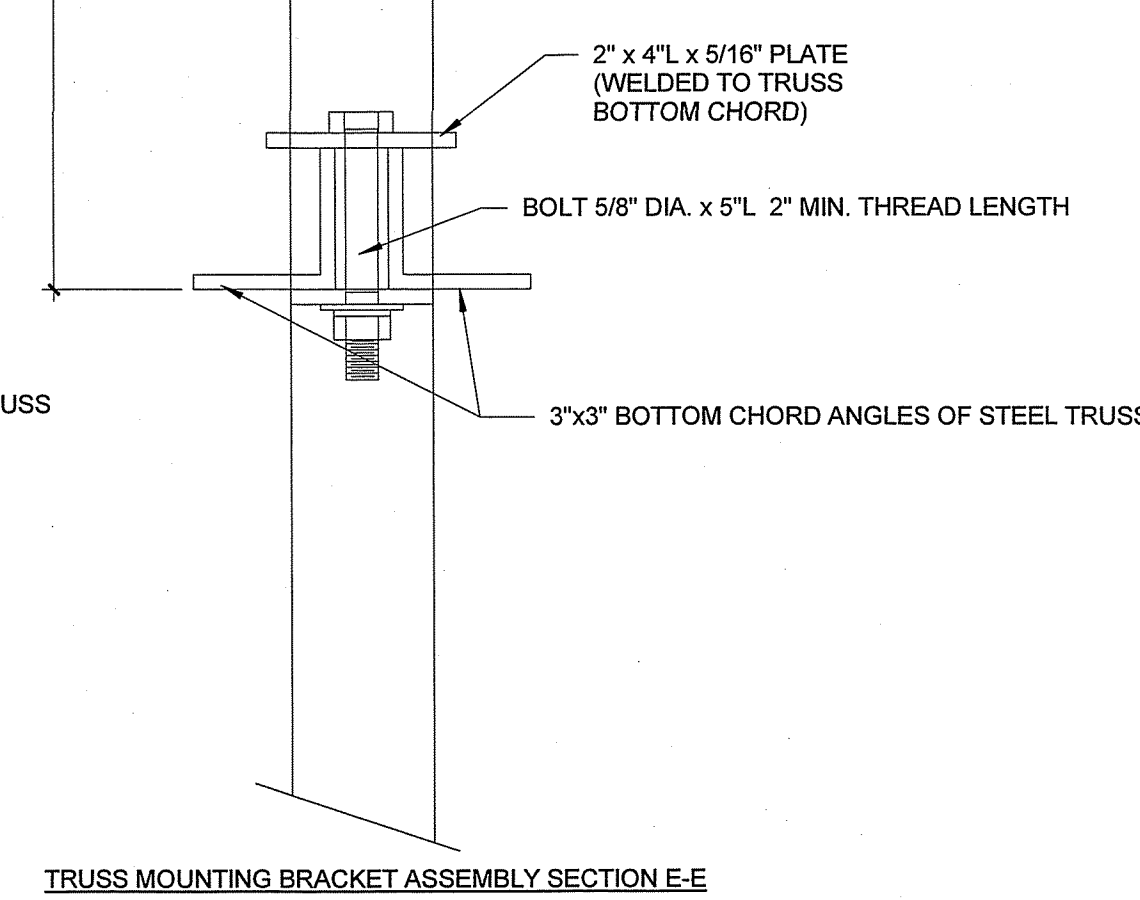
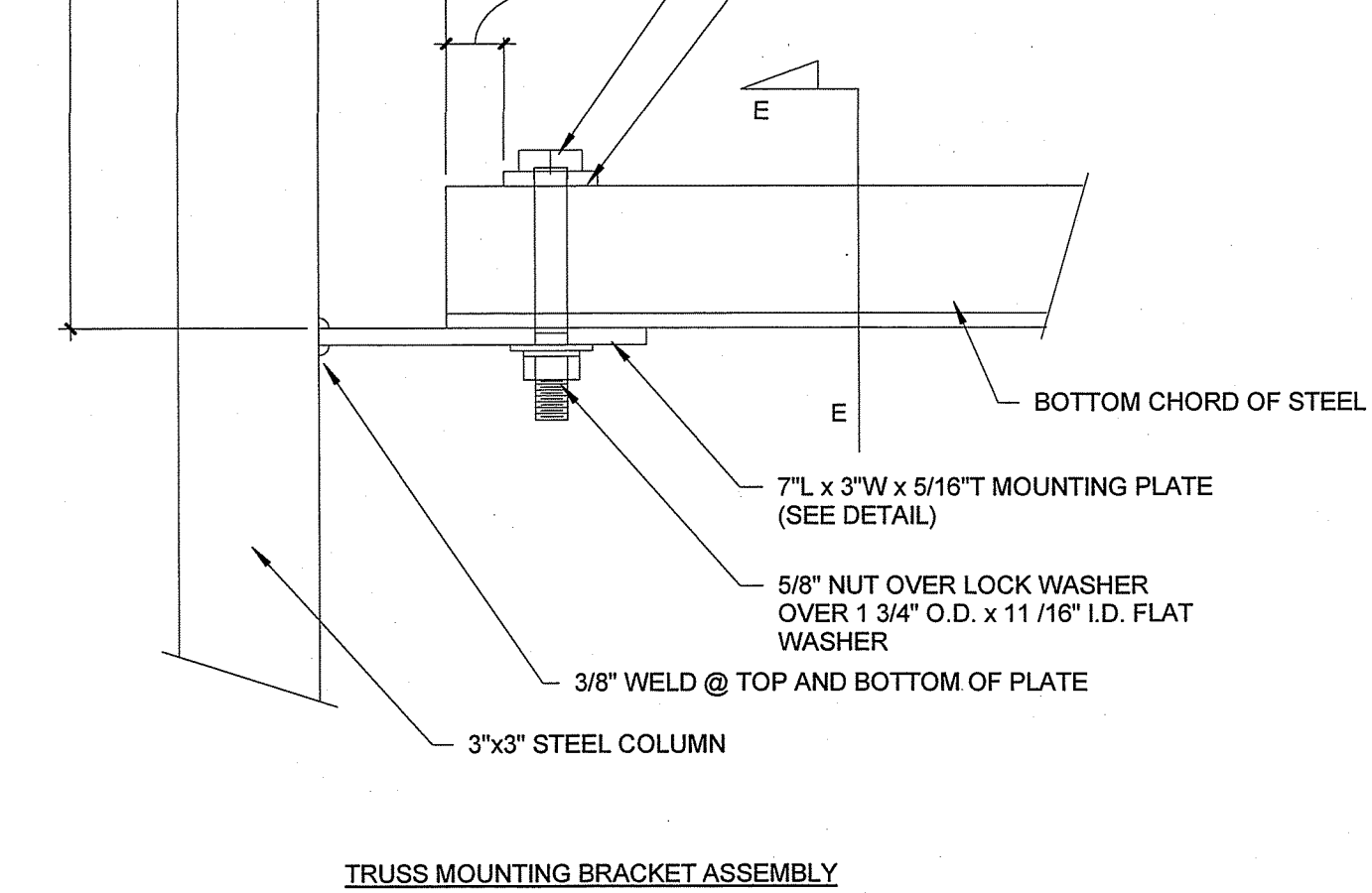
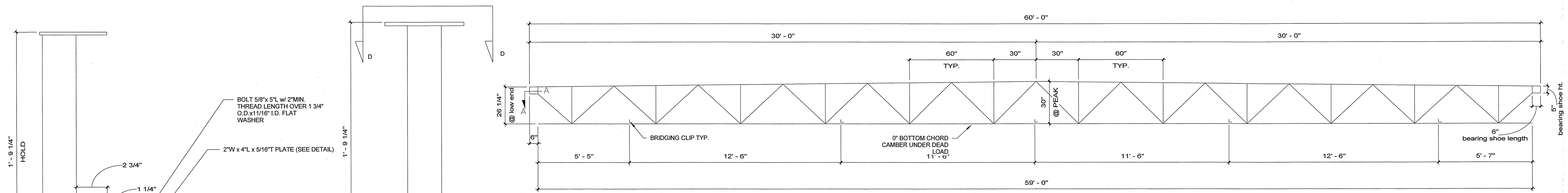
Whitley East, LLC
64 HESS ROAD
LEOLA, PA 17540
PHONE: 717.656.2081
www.whitleyman.com

Drawn By:	EP
Checked By:	MR
Rev:	2

CROSS SECTION
CLEAR SPAN OUTFITTING
MGI
(7) 11'-9" x 64'-0" MODULES

Serial No.	1874-78	Date	11-12-18
Quote No.	18-0237	Scale	As indicated
Model No.	7495	Page No.	S2.1
Job No.	2018-055-WP		

2/21/2019 3:07:27 PM



No.	Description	Date	No.	Description	Date

THIS DRAWING AND ALL INFORMATION CONTAINED HEREON IS THE PROPERTY OF WHITLEY MFG. CO. INC. AND IS NOT TO BE REPRODUCED WITHOUT THE EXPRESS PERMISSION OF WHITLEY MFG. CO. INC. WHITLEY MFG. CO. INC. ASSUMES NO RESPONSIBILITY FOR UNAUTHORIZED USE OF THIS DRAWING.

WM
WHITLEY MANUFACTURING

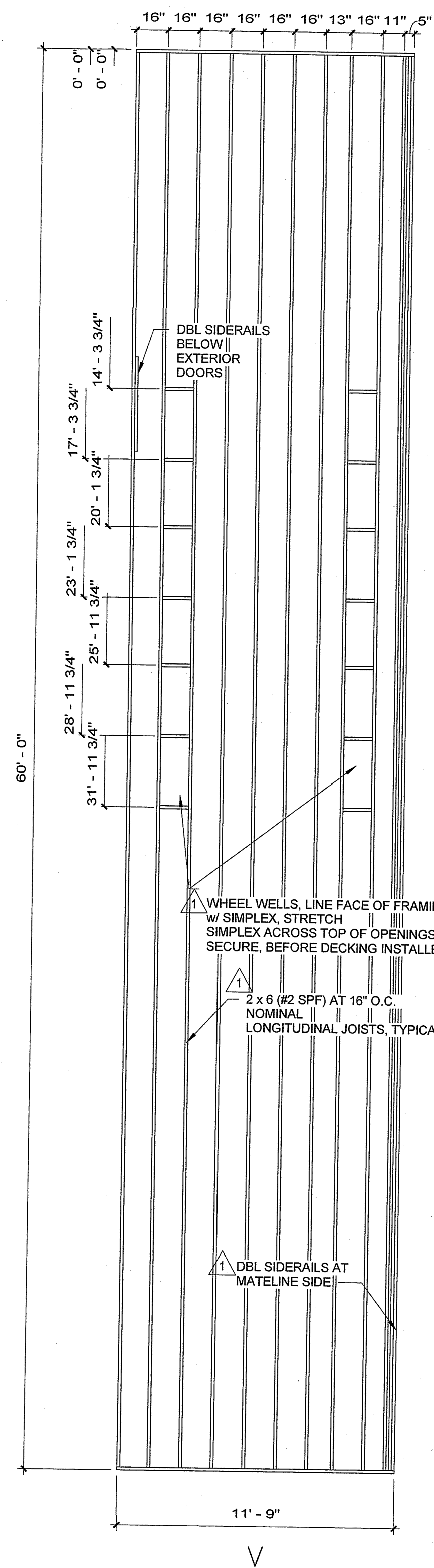
Whitley East, LLC
64 HESS ROAD
LEOLA, PA 17540
PHONE: 717.656.2081
www.whitleyman.com

Drawn By: EP
Checked By: MR
Rev:

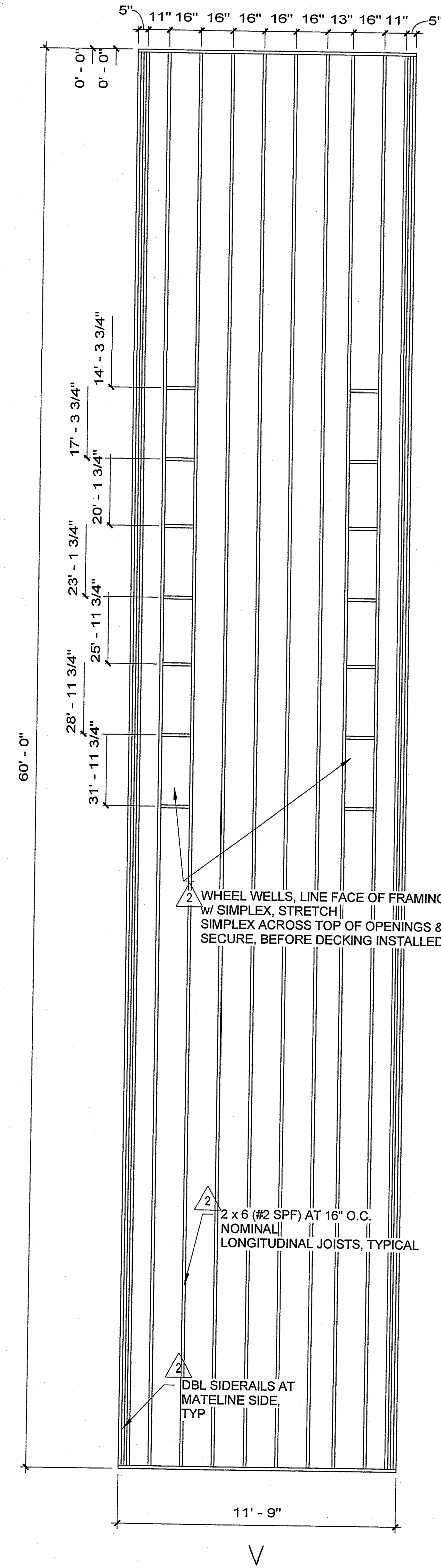
FRAME DETAILS
CLEAR SPAN OUTFITTING
MGI
(7) 11'-9" x 64'-0" MODULES

Serial No. 1871-72, 1874-78	Date: 11-12-18
Quote No. 18-0237	Scale: As indicated
Model No. 7495	Page No.
Job No. 2018-055-WP	S2.2

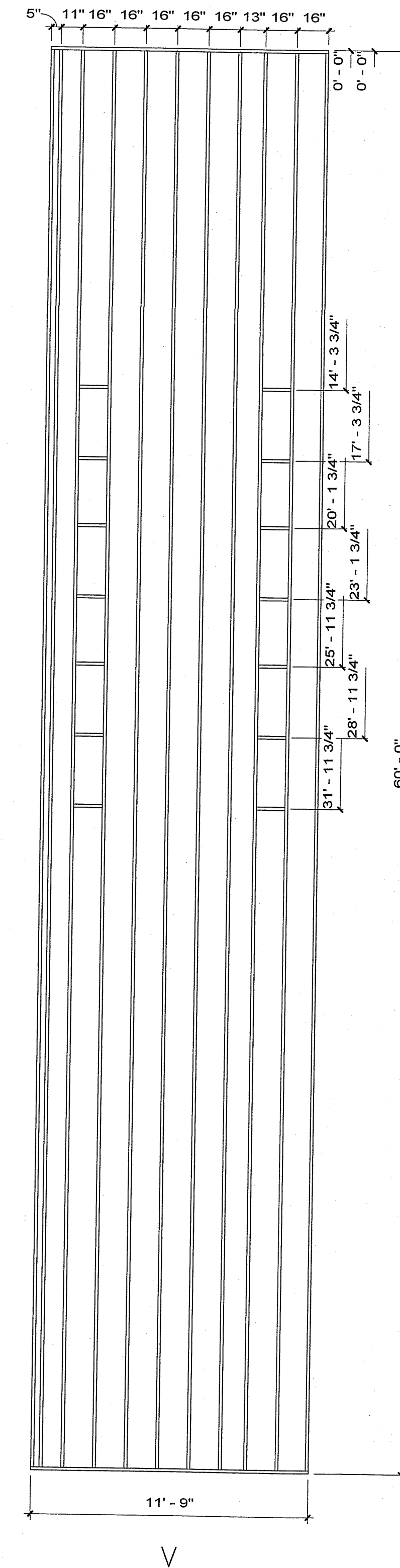
2/21/2019 3:07:28 PM



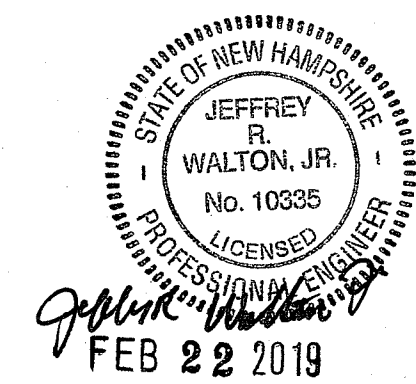
② Left Module Typ Floor Framing
1/4" = 1'-0"



① Center Module Typ Floor Framing
1/4" = 1'-0"

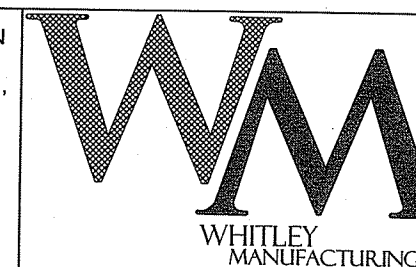


③ Right Sidewall Module Typ Floor Framing
1/4" = 1'-0"



No.	Description	Date	No.	Description	Date

THIS DRAWING AND ALL INFORMATION CONTAINED HEREON IS THE PROPERTY OF WHITLEY MFG. CO. INC. AND IS NOT TO BE REPRODUCED WITHOUT THE EXPRESS PERMISSION OF WHITLEY MFG. CO. INC. WHITLEY MFG. CO. INC. ASSUMES NO RESPONSIBILITY FOR UNAUTHORIZED USE OF THIS DRAWING.



Whitley East, LLC
64 HESS ROAD
LEOLA, PA 17540
PHONE: 717.656.2081
www.whitleyman.com

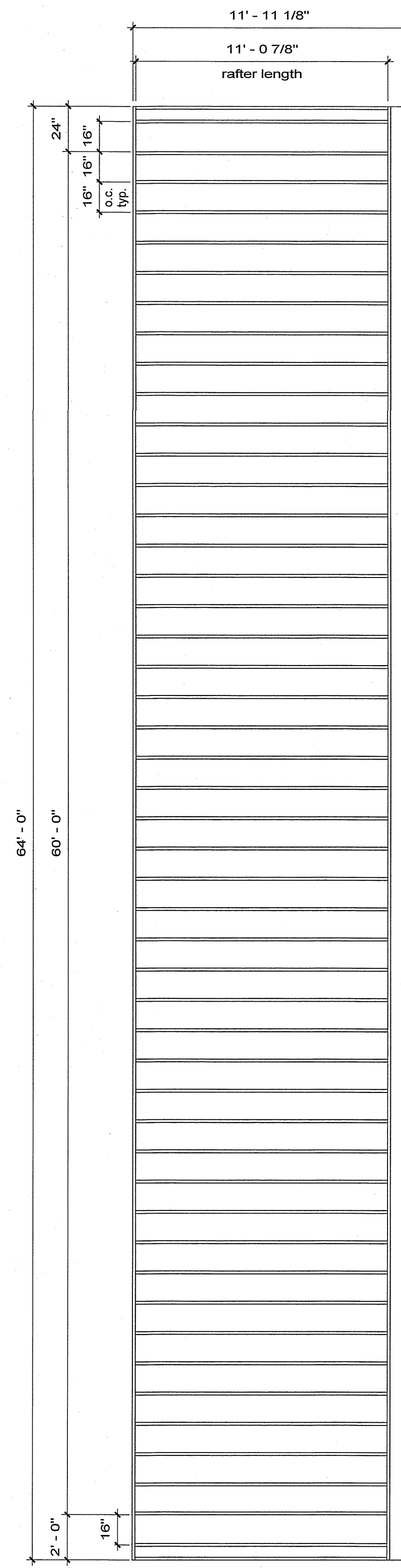
Drawn By: EP
Checked By: MR
Rev:

FLOOR FRAMING PLAN
CLEAR SPAN OUTFITTING
MGI
(7) 11'-9" x 64'-0" MODULES

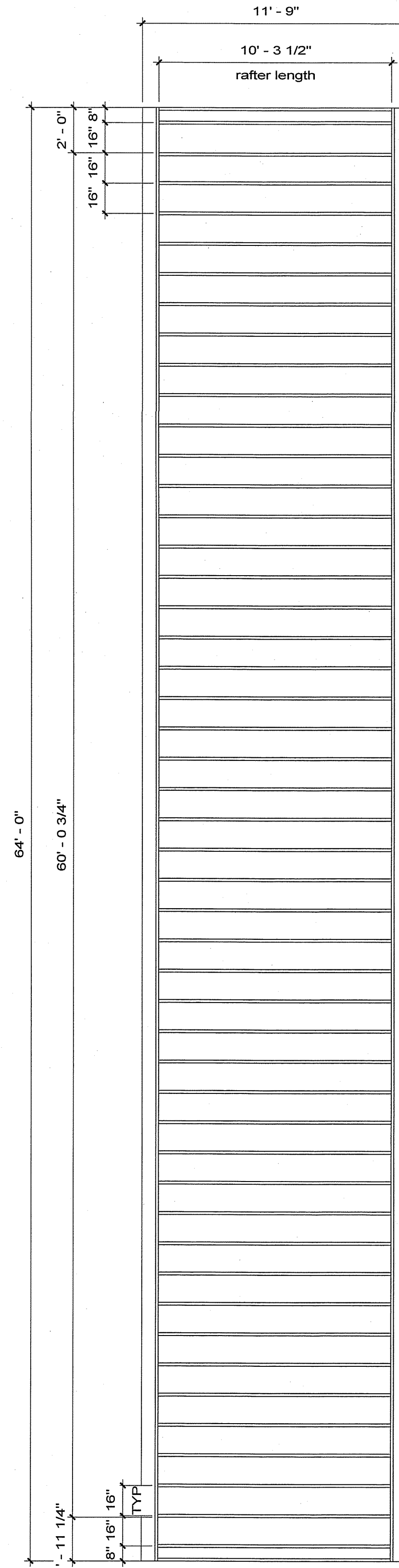
Serial No. 1871-72, 1874-78
Quote No. 18-0237
Model No. 7495
Job No. 2018-055-WP

Date: 11-12-18
Scale: 1/4" = 1'-0"
Page No. S3.1

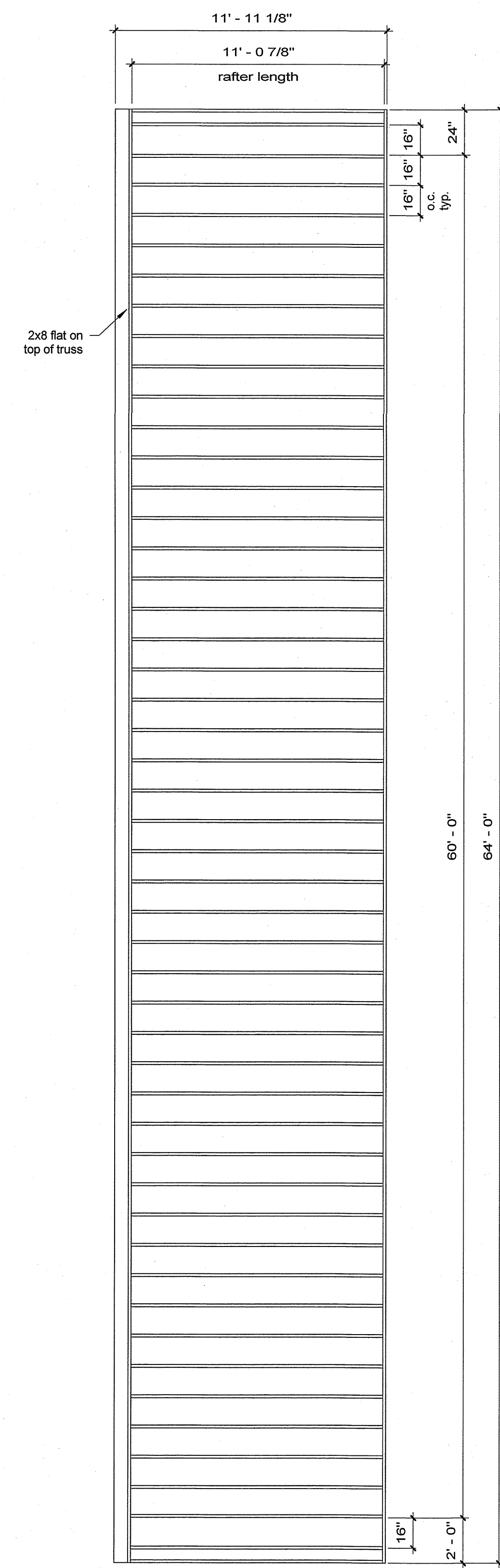
2/21/2019 3:07:28 PM



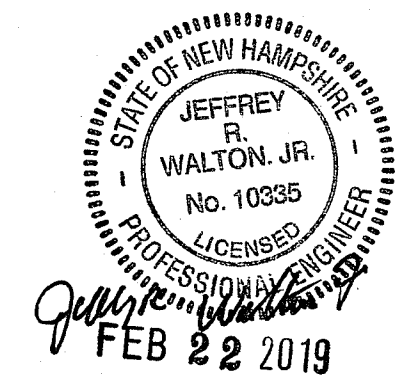
② Left Sidewall Module Typ Roof Framing
1/4" = 1'-0"



① Center Module Typ Roof Framing
1/4" = 1'-0"



③ Right Sidewall Module Typ Roof Framing
1/4" = 1'-0"



No.	Description	Date	No.	Description	Date

THIS DRAWING AND ALL INFORMATION CONTAINED HEREON IS THE PROPERTY OF WHITLEY MFG. CO., INC., AND IS NOT TO BE REPRODUCED WITHOUT THE EXPRESS PERMISSION OF WHITLEY MFG. CO., INC. WHITLEY MFG. CO., INC. ASSUMES NO RESPONSIBILITY FOR UNAUTHORIZED USE OF THIS DRAWING.

WM
WHITLEY MANUFACTURING

Whitley East, LLC
64 HESS ROAD
LEOLA, PA 17540
PHONE: 717.656.2081
www.whitleyman.com

Drawn By: EP
Checked By: MR
Rev:

ROOF FRAMING PLAN
CLEAR SPAN OUTFITTING
MGI
(7) 11'-9" x 64'-0" MODULES

Serial No. 1871-72, 1874-78	Date: 11-12-18
Quote No. 18-0237	Scale: 1/4" = 1'-0"
Model No. 7495	Page No.
Job No. 2018-055-WP	S4.1