

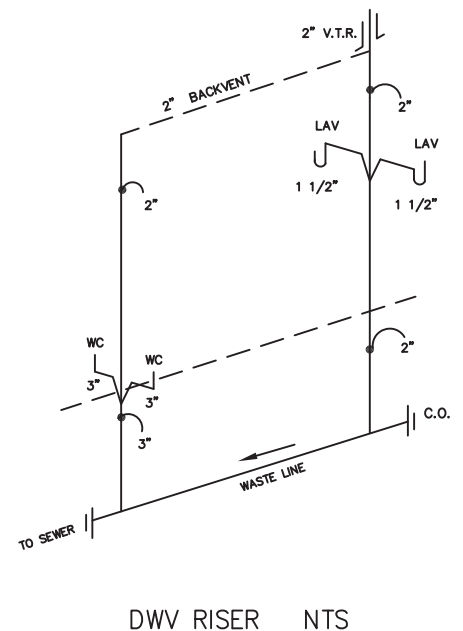
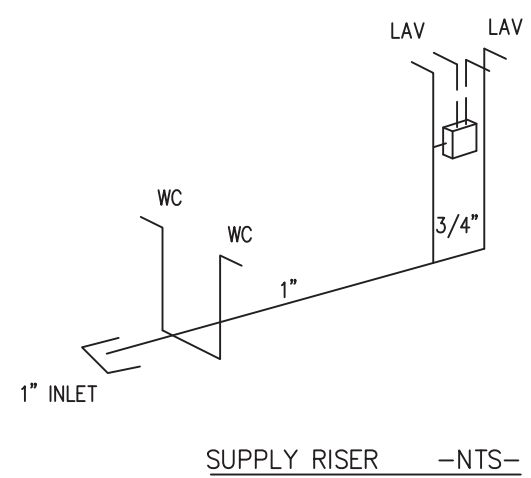
DWV RISER NOTES:

1. THE DWV RISER INDICATES ONE METHOD OF INSTALLING THE BELOW THE FLOOR PIPING. OTHER APPROVED METHODS MAY BE USED AS NEEDED TO ACCOMMODATE THE ACTUAL SITE CONDITIONS.
2. ALL BELOW FLOOR PIPING AND FITTINGS ARE TO BE SUPPLIED AND INSTALLED ON SITE BY OTHERS.
3. 1 1/2 INCH AND 2 INCH HORIZONTAL DRAIN LINES SHALL BE INSTALLED WITH A SLOPE OF 1/4 INCH PER FOOT.
4. 3 AND 4 INCH HORIZONTAL DRAIN LINES SHALL BE INSTALLED WITH A SLOPE OF 1/8 INCH PER FOOT.
5. BELOW FLOOR HORIZONTAL DRAIN LINES ARE 3 INCH MINIMUM DIAMETER UNLESS INDICATED OTHERWISE.
6. A MAXIMUM OF 3 WATER CLOSETS MAY DISCHARGE INTO A 3 INCH LINE.
7. CHANGES IN DIRECTION SHALL BE MADE WITH FITTINGS AS INDICATED IN TABLE 706.3. VERTICAL TO HORIZONTAL AND HORIZONTAL TO HORIZONTAL CHANGES OF DIRECTION ARE TO BE MADE WITH LONG SWEEP FITTINGS.

SYMBOLE	DOOR SCHEDULE	TOTAL
B	36"x80" SOLID CORE IMPERIAL OAK W/REDIFRAME	4
E	36"x80" STEEL/STEEL W/10"x10" VIEW PANEL	2
SYMBOLE	WINDOW SCHEDULE	TOTAL
X	36"x60" VERTICAL SLIDE, INSULATED WHITE VINYL	4

DOOR HARDWARE:
 LEVER PRIVACY: RESTROOMS
 KEYED LEVER LOCKSET (EXTERIOR DOORS)
 LEVER PASSGE: OFFICES

SUPPLY LINE SIZING IS BASED ON AN ASSUMED AVAILABLE PRESSURE OF 46 TO 60 PSI AT MAIN INLET AND SHOULD BE VERIFIED PRIOR TO CONSTRUCTION.
 --- COLD
 --- HOT
 ALL SUPPLY LINES SHALL BE 3/4". ALL STUB-UPS SHALL BE 1/2" UNLESS OTHERWISE SPECIFIED.



Professional Certification. I hereby certify that these documents were prepared or approved by me, and that I am a duly licensed professional engineer under the laws of the State of Maryland.
 License No. 41056, Expiration Date: 10-14-21

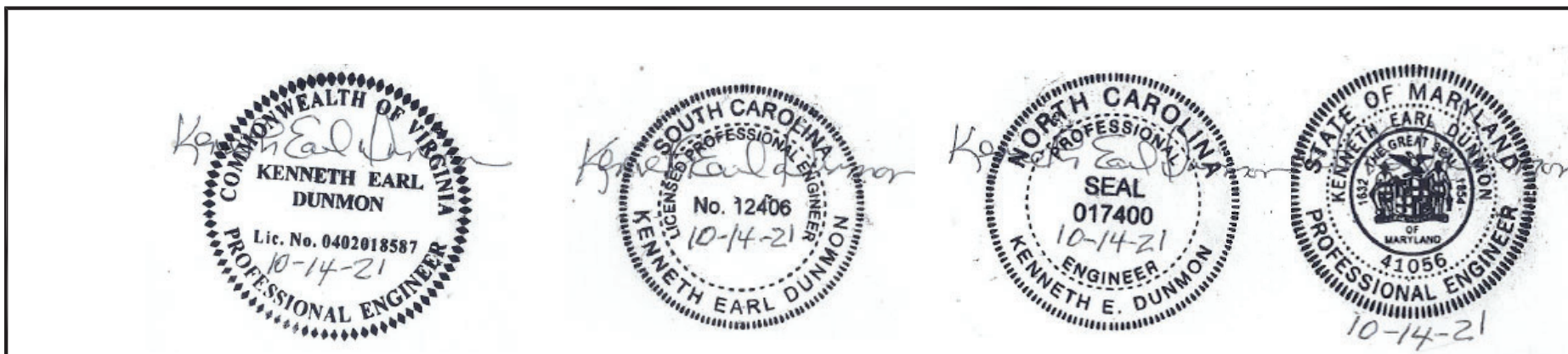
EMC
R. JOHNSON
APPROVED
10 14 2021

COLUMN STRAPPING SCHEDULE:

(A) (2) 2x4 SPF #2 THIS HALF.	(B) (2) 2x4 SPF #2 EACH HALF.
(C) (3) 2x4 SPF #2 THIS HALF.	(D) (3) 2x4 SPF #2 EACH HALF.
(E) (4) 2x4 SPF #2 THIS HALF.	(F) (4) 2x4 SPF #2 EACH HALF.
(G) (5) 2x4 SPF #2 THIS HALF.	(H) (2) 2x6 SPF #2 EACH HALF.

NOTES:
 1. ALL COLUMN STUDS SHALL BE GLUE/NAILED TOGETHER. PVA GLUE WITH 100% COVERAGE SHALL BE USED.
 2. INSTALL TWO STEEL STRAPS AT EACH STUD OF EACH COLUMN.
 3. COLUMN STUDS SHALL NOT BE NOTCHED OR BORED.

CONSULTING ENGINEER KENNETH EARL DUNMON - P.O. BOX 6853 - AMERICUS, GEORGIA 31719 - 229-942-2020



DIAMOND BUILDERS INC.
 P.O. BOX 2200 440 THOMPSON DR.
 DOUGLASS, GEORGIA 31534 (912) 384-7080

DATE: 10-6-21 REVISIONS:
 SCALE: 1/4"=1'-0"
 CODES: SEE NOTES
 STATES: MD, VA, NC, SC. BY: K.E.D.
 MD. PLAN NO: DBI-9614 MD
 DBI9614 A/B 27'-4"x60'-0"
 BUSINESS (ADULT EDUCATION) SHEET
 FLOOR PLAN DESTINATION: EASTOVER, SC 2 OF 6