



Modular Genius
SMART BUILDING

Office

Model: G-Plex A-D

NEW OFFICES IN STOCK (14) AVAILABLE

Building Description:

Unit #: G-Plex A-D

Asset #: 999-MGI

Serial #: DBI XXXX

Date Built: 2025-02-25

Building Size: 24 x 60

Sq. Footage: 1440

Can Be Modified to Meet Your Requirements!

Building Highlights:

This 24' x 60' modular office provides 1,440 sq. ft. of flexible workspace in a brand-new 2025 build available for quick deployment. Featuring factory-installed HVAC, electrical, and plumbing systems along with durable, low-maintenance finishes, this relocatable building is well suited for office or administrative use with minimal site work required.

Available:

Immediately



Modular Genius

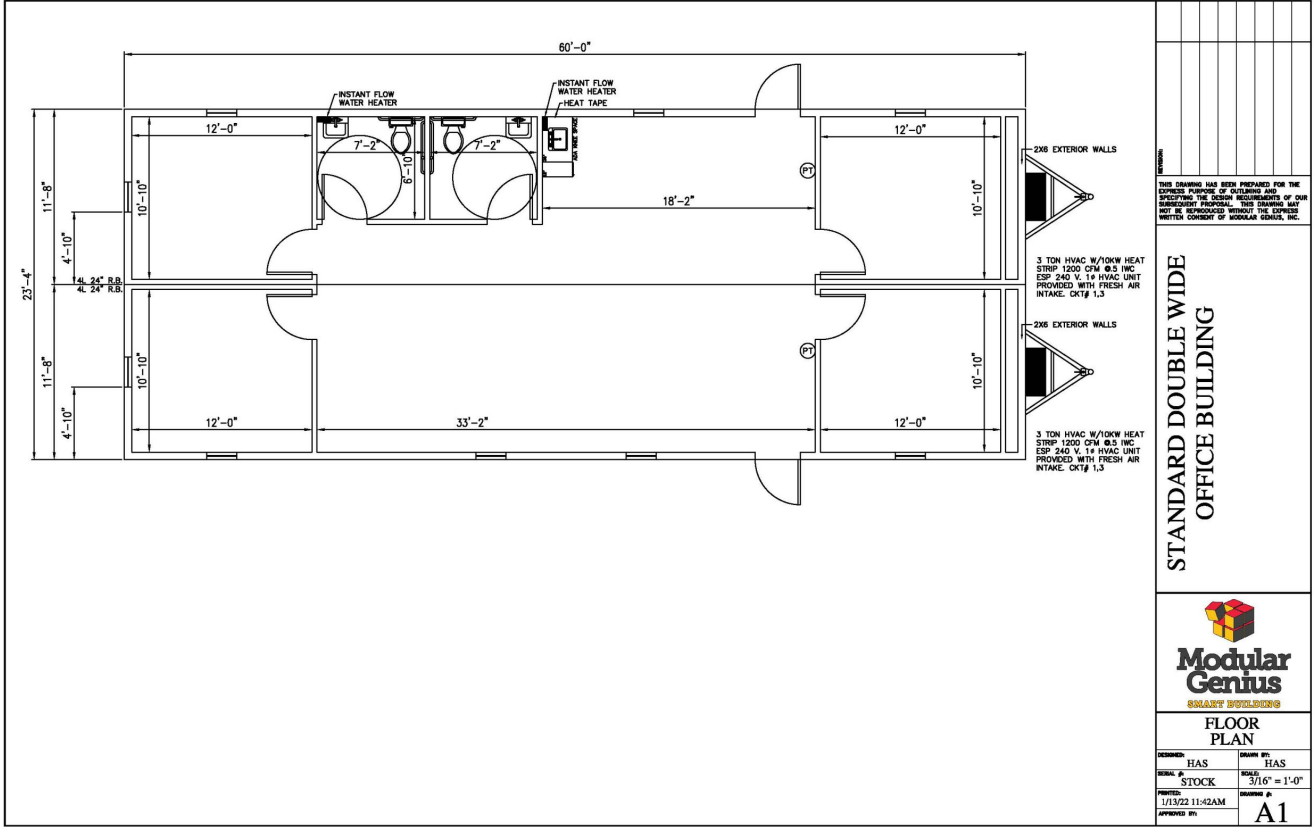
[modulargenius.com](https://www.modulargenius.com)

888-420-1113





Modular Genius
SMART BUILDING



Width	24	Length	60	Square Footage	1440
Mechanical	(2) 3 Ton 10KW	Electrical	(2)150	Plumbing	2 Multi Stall
Roof Type	White EPDM	Floor Covering	VCT	Exterior Siding	Smart Panel
Interior Walls	Vinyl Covered Gypsum	Interior Ceiling	T-Grid		

State Code	AL AR DE FL GA LA MD MO MS NC NJ NY OH OK PA SC TX VA WV
-------------------	---



Modular Genius

modulargenius.com

888-420-1113



Why Modular Genius?

PROVEN EXPERIENCE

With hundreds of successful modular building projects completed nationwide, Modular Genius brings expertise to every job. We specialize in delivering high-quality, code-compliant modular structures across education, government, healthcare, commercial, and industrial sectors.

FASTER PROJECT DELIVERY

Modular construction can reduce build time by up to 50% compared to traditional construction. While site work is completed, your building is manufactured simultaneously in a controlled environment, getting you up and running sooner.

COST PREDICTABILITY

Our streamlined process minimizes change orders and unexpected costs. With modular construction, you benefit from fixed pricing, less material waste, and reduced labor.

FLEXIBLE & SCALABLE SOLUTIONS

Whether you need a permanent facility, temporary relocatable building, or a custom multi-story complex, our modular solutions adapt to your needs - today and in the future.

Our Services

PERMANENT MODULAR CONSTRUCTION

We use advanced offsite manufacturing techniques to build sustainable, high-quality modules. They are then assembled on your property to create durable, permanent structures designed for long-term use.

RELOCATABLE BUILDINGS

RMBs are crafted in a controlled factory setting using precise modular construction techniques - equipped with complete Mechanical, Electrical, and Plumbing (MEP) systems.

DESIGN BUILD

Our service streamlines your project by having Modular Genius manage both the design and construction phases. We ensure a cohesive, efficient process from initial concept to final build.

DESIGN BID BUILD

We offer a traditional hard bid process where you can contract with separate architects and engineers for design, and partner with Modular Genius for the construction phase of your project.

**Modular Genius simplifies complex building projects -
delivering speed, quality, and value without compromise.**

Let's Build Smarter, Together.