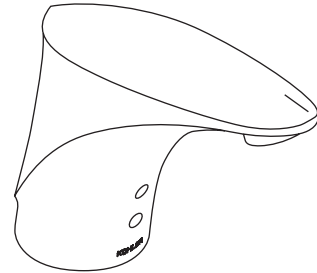


**Features**

- Brass construction
- Single-hole mounting
- Electronic infrared sensor with TriPoint™ technology for accurate activation
- Above-counter battery and valve for easy installation and maintenance
- Vandal-resistant mixing handle or plug button
- 0.5 gallons (1.9 L) per minute flow rate
- Additional aerator options are available (refer to the Kohler Price Book)
- 22" (55.9 cm) flexible supply hoses for easy installation
- Sensor shield included for easy cleaning
- 4-3/4" (12.1 cm) spout
- 6 V lithium-ion battery for DC power supply or 120 V, 60 Hz, 15 W for AC power supply

**ELECTRONIC FAUCET  
K-10950  
ALSO K-10951**

**ADA**



**Codes/Standards Applicable**

Specified model meets or exceeds the following:

- ASME 112.18.1/CSA B125
- Energy Policy Act of 1992
- IAPMO/UPC
- ADA
- ICC/ANSI A117.1
- UL 1951 (AC Model)

**Colors/Finishes**

- CP: Polished Chrome
- G: Brushed Chrome

**Specified Model:**

Model	Description	Colors/Finishes	
K-10950-4	DC manual water adjustment, above-deck battery changeability, single-hole mount	<input type="checkbox"/> CP	<input type="checkbox"/> G
K-10951-4	AC manual water adjustment, single-hole mount	<input type="checkbox"/> CP	<input type="checkbox"/> G
<b>Required accessories and optional accessories on Page 2</b>			

**Product Specification**

Electronic faucet shall be of brass construction. Faucet shall feature an electronic infrared sensor with Tripoint technology and requires a plug-in power supply. Product shall feature integral vandal-resistant mixing handle or plug button. Product shall have 0.5 gpm (1.9 lpm) and have additional aerator options available (refer to the Kohler Price Book). Faucet shall include 4-3/4" (12.1 cm) spout, vandal-resistant aerator, sensor shield for easy cleaning, and 22" (55.9 cm) flexible supply hoses for easy installation. Product shall use a 6V lithium-ion battery for DC power supply or 120V, 60 Hz, 15W for AC power supply. Faucet shall be Kohler Model K-\_\_\_\_\_-\_\_\_\_\_-\_\_\_\_\_- and plug-in power supply shall be Kohler Model K-10982-NA.



<b>Required Accessory</b>			
K-10982	Plug-in power supply	<input type="checkbox"/> NA	
<b>Optional Accessories</b>			
K-10980	Escutcheon, 4" (10.2 cm)	<input type="checkbox"/> CP	<input type="checkbox"/> G

## Installation Notes

Install this product according to the installation guide.

One-stud configuration - 1-1/16" (2.7 cm) D. Min to 1-1/4" (3.2 cm) D. Max mounting hole.

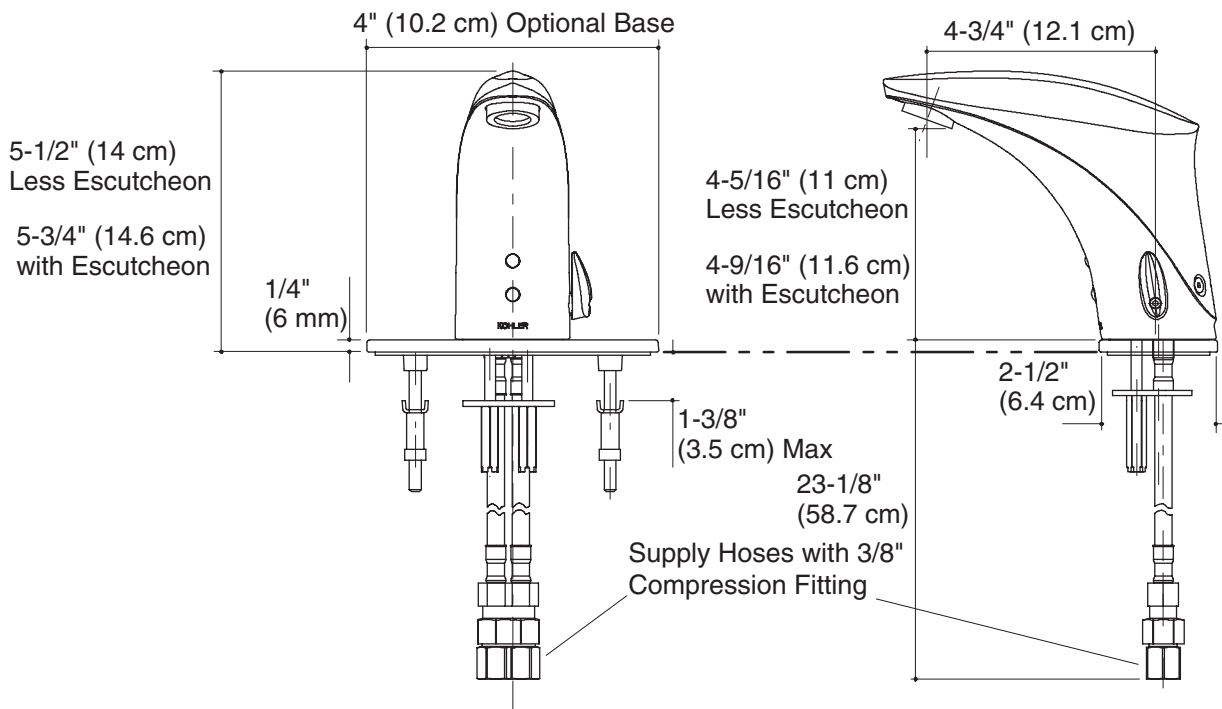
Two-stud configuration - 1-1/4" (3.2 cm) D. Min to 2-1/2" (6.4 cm) D. Max mounting hole.

Allow 1-3/4" (4.4 cm) clearance between back of the spout and wall for setscrew access.

The distance from lavatory basin edge to base of the spout should be 1-1/8" (2.9 cm) Max.

The lip basin height should be 1" (2.5 cm) Max.

Product uses a 6V lithium-ion battery for the DC version or 120V, 60 Hz, 15W for the AC version.



## Product Diagram