

ALLBROOK™ 1.0 GPF SIPHON-JET URINAL

- Vitreous china
- Low-consumption (3.8 Lpf/1.0 gpf)
- Flushing rim
- Siphon jet flush action
- 3/4" inlet spud
- Outlet connection threaded 2" inside (NPTF)
- Wall hanger
- Fixture only
- Meets ANSI flush requirements at 0.7 to 1.0 GPF

 **6541.132** Top spud

Nominal Dimensions:

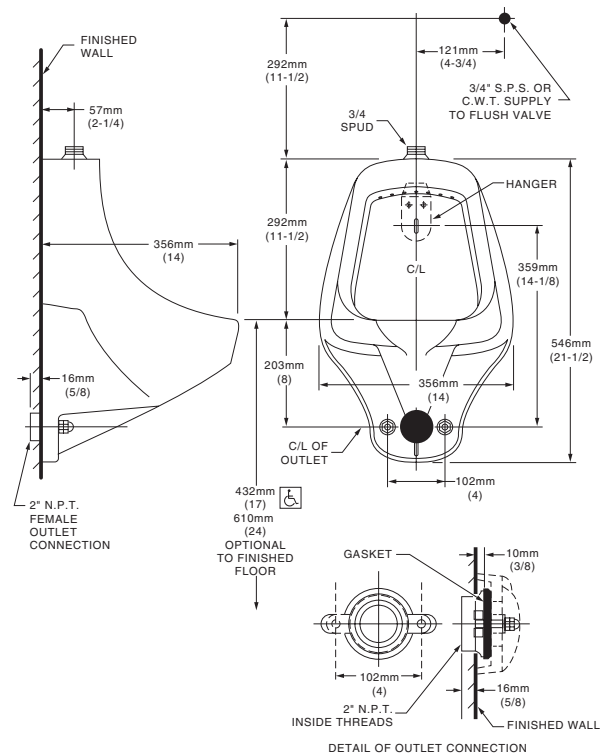
356 x 356 x 546mm
(14" x 14" x 21-1/2")

Recommended working pressure – between
20 psi at valve when flushing and 80 psi static

Compliance Certifications -


Meets or Exceeds the Following Specifications:

- ASME A112.19.2 for Vitreous China Fixtures



To Be Specified:

- Color: White Bone Silver
 Linen Black
- Flush Valve:
 - American Standard Selectronic™ #6063.101.002 DC Power (Top Spud)

 **MEETS THE AMERICANS WITH DISABILITIES ACT GUIDELINES AND ANSI A117.1 ACCESSIBLE AND USEABLE BUILDINGS AND FACILITIES - CHECK LOCAL CODES.**

- When installed so top of rim is 432mm (17") from finished floor.

NOTES:

FLUSH VALVE NOT INCLUDED WITH FIXTURE AND MUST BE ORDERED SEPARATELY.
PROVIDE SUITABLE REINFORCEMENT FOR ALL WALL SUPPORTS.

IMPORTANT: Dimensions of fixtures are nominal and may vary within the range of tolerances established by ANSI Standard A112.19.2. These measurements are subject to change or cancellation. No responsibility is assumed for use of superseded or voided pages.



Royal® Model Flushometer

180
180-1.5
180-1.0

► Description

Exposed Urinal Flushometer, for 1¼" top spud urinals.

► Flush Cycle

- Model 180 Conventional (3.5 gpf/13.2 Lpf)
- Model 180-1.5 Water Saver (1.5 gpf/5.7 Lpf)
- Model 180-1.0 Low Consumption (1.0 gpf/3.8 Lpf)

► Specifications

Quiet, Exposed, Diaphragm Type, Chrome Plated Urinal Flushometer with the following features:

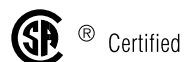
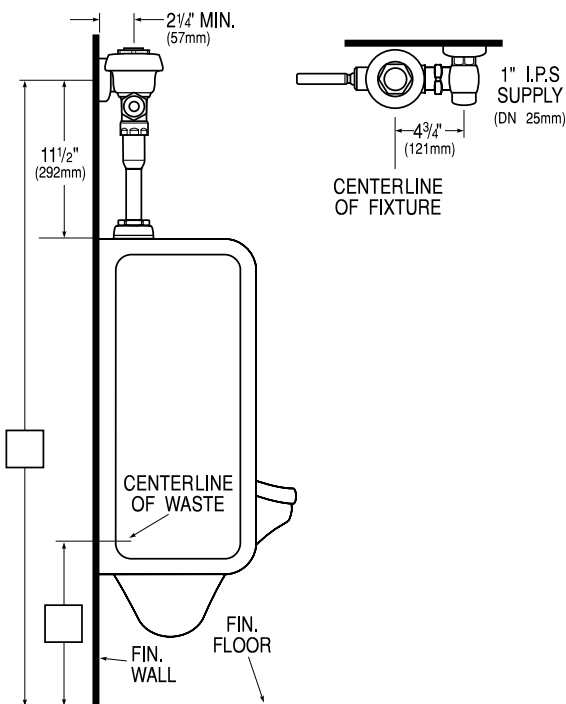
- PERMEX™ Synthetic Rubber Diaphragm with Dual Filtered Fixed Bypass
- ADA Compliant Metal Oscillating Non-Hold-Open Handle with Triple Seal Handle Packing
- 1" I.P.S. Screwdriver Bak-Chek™ Angle Stop
- Free Spinning Vandal Resistant Stop Cap
- Adjustable Tailpiece
- High Back Pressure Vacuum Breaker Flush Connection with One-piece Bottom Hex Coupling Nut
- Spud Coupling and Flange for 1¼" Top Spud
- Sweat Solder Adapter with Cover Tube and Cast Set Screw Wall Flange
- High Copper, Low Zinc Brass Castings for Dezincification Resistance
- Non-Hold-Open Handle, Fixed Metering Bypass and No External Volume Adjustment to Ensure Water Conservation
- Flush Accuracy Controlled by CID™ Technology
- Diaphragm, Handle Packing, Stop Seat and Vacuum Breaker to be molded from PERMEX™ Rubber Compound for Chloramine Resistance

Valve Body, Cover, Tailpiece and Control Stop shall be in conformance with ASTM Alloy Classification for Semi-Red Brass. Valve shall be in compliance to the applicable sections of ASSE 1037, ANSI/ASME 112.19.6, and Military Specification V-29193.

► Variations

- HL-3** 3" Metal Oscillating Push Button on front of valve (does not meet ADA requirements)
- T** 1½" Flush Connection

See Accessories Section of the Sloan catalog for details on these and other Flushometer variations.



Listed by I.A.P.M.O.

This space for Architect/Engineer approval

The information contained in this document is subject to change without notice.

SLOAN

Made in the U.S.A.

SLOAN VALVE COMPANY • 10500 SEYMOUR AVE. • FRANKLIN PARK, IL. 60131
Ph: 1-800-9-VALVE-9 or 1-847-671-4300 • Fax: 1-800-447-8329 or 1-847-671-4380

<http://www.sloanvalve.com>