

MAXWELL®
by GERBER.

10" Rough-in

Elongated Toilet



Features:

- Low Consumption 1.6 gpf (6.0 Lpf)
- Elongated Bowl
- Slim Line Tank
- Glazed Trapway
- Reverse Trap
- Front Jet Flushing Action
- Front Tank Lever
- White, Bone, Biscuit
- 2 Bolt Caps

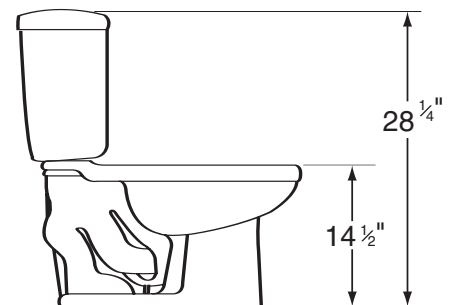
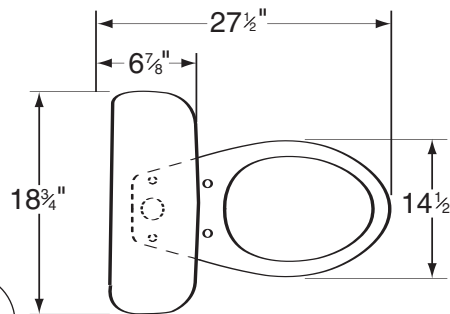
Dimensions:

- Height..... 28 1/4"
- Width..... 18 3/4"
- Depth 27 1/2"
- Rough-in 10"
- Water Surface from Rim 5 3/4"
- Trapway (min)..... 1 3/4"
- Water Surface..... 10 1/2" x 8 3/4"
- Water Seal 2 3/8"
- Shipping Weight..... 83 lbs



Specifications: Bowl — #21-762 Elongated
Seat not included

Tank — #28-495

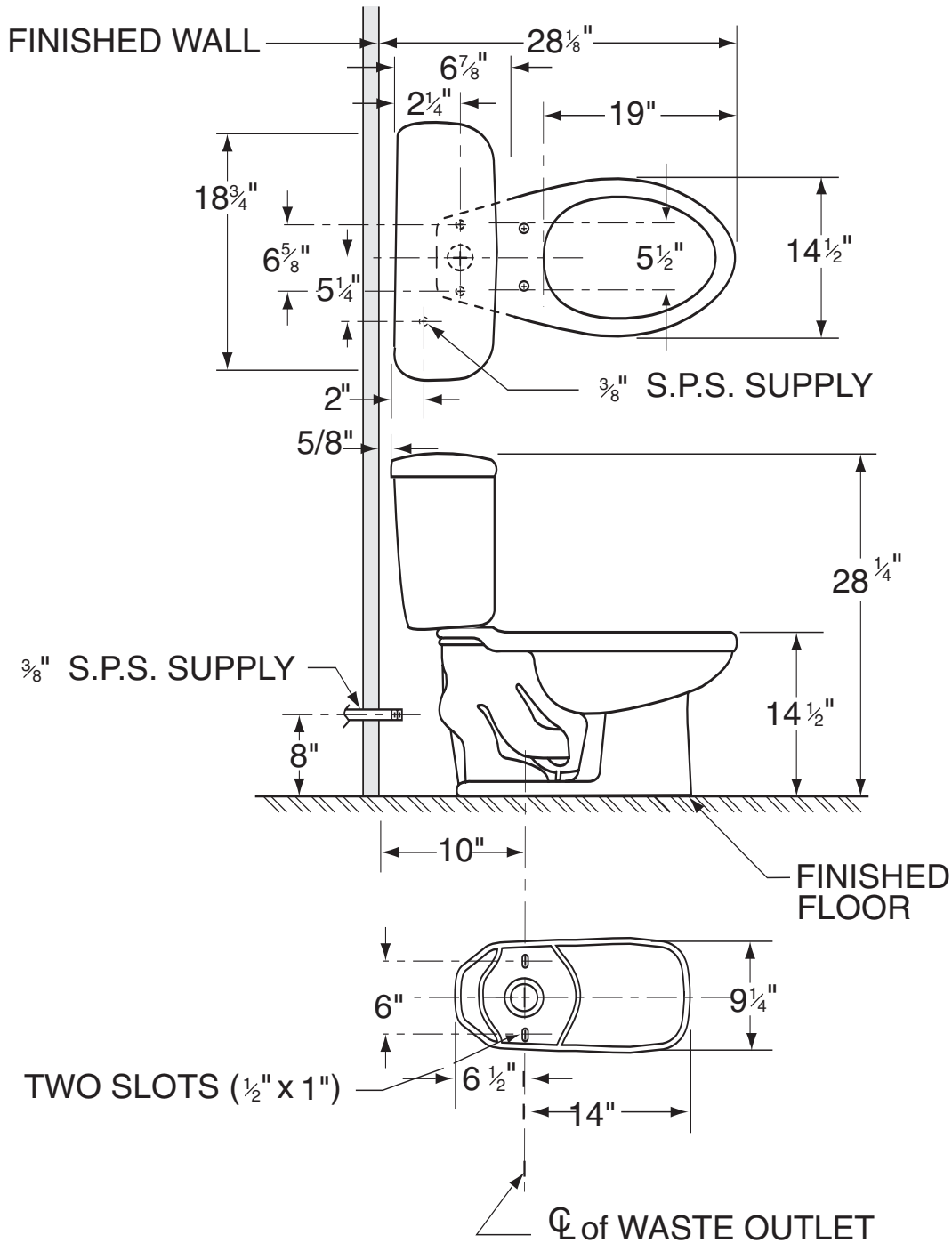


THIS FIXTURE QUALIFIES ACCORDING TO ASME TEST PROCEDURES AS A LOW CONSUMPTION WATER CLOSET WITH AN AVERAGE CONSUMPTION OF 1.6 gpf (6 Lpf) OR LESS.



GERBER®
YOUR BUSINESS. YOUR BRAND.
www.gerberonline.com

Job Name	
Date	
Model Specified	
Quantity	
Customer	
Contractor	
Architect/engineer	



NOTES:
All dimensions are in inches.

Illustrations may not be drawn to scale.

IMPORTANT:

Dimensions of fixtures are nominal and may vary within the range of tolerances established by ASME Standard A 112.19.2.

THIS FIXTURE QUALIFIES ACCORDING TO ASME TEST PROCEDURES AS A LOW CONSUMPTION WATER CLOSET WITH AN AVERAGE CONSUMPTION OF 1.6 gpf (6 Lpf) OR LESS.