

# GERBER®

VITREOUS CHINA

TOILET  
**21-417**

LAVATORIES

TOILETS

BIDETS / URINALS

CAST IRON



**MAXWELL®**  
by GERBER.

10" Rough-in



**ErgoHeight™**

## 17" High Elongated Toilet

### Features:

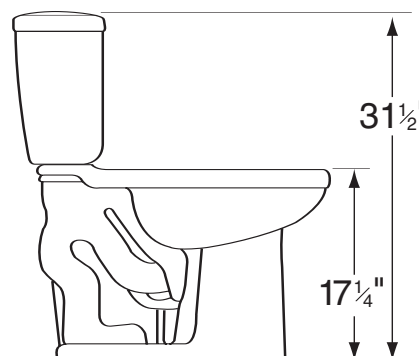
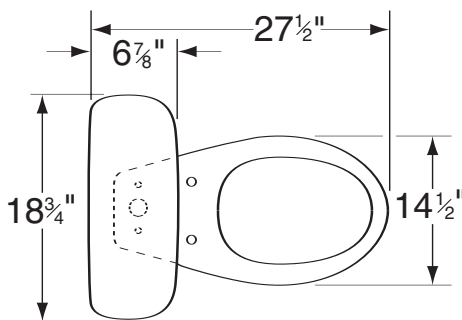
- Low Consumption 1.6 gpf (6.0 Lpf)
- Elongated Bowl
- ADA Compliant
- Slim Line Tank
- Glazed Trapway
- Reverse Trap
- Front Jet Flushing Action
- Front Tank Lever
- White, Bone, Biscuit
- 2 Bolt Caps

### Dimensions:

Height..... 31 1/2"  
 Width..... 18 1/2"  
 Depth..... 27 1/2"  
 Rough-in ..... 10"  
 Water Surface from Rim ..... 5 5/8"  
 Trapway (min)..... 1 3/4"  
 Water Surface..... 10 x 8 1/2"  
 Water Seal ..... 2 1/2"  
 Shipping Weight..... 90 lbs



**Specifications:** Bowl — #21-728 Elongated Bowl      Tank — # 28-495  
 Seat not included



THIS FIXTURE QUALIFIES ACCORDING TO ASME TEST PROCEDURES AS A LOW CONSUMPTION WATER CLOSET WITH AN AVERAGE CONSUMPTION OF 1.6 gpf (6 Lpf) OR LESS.

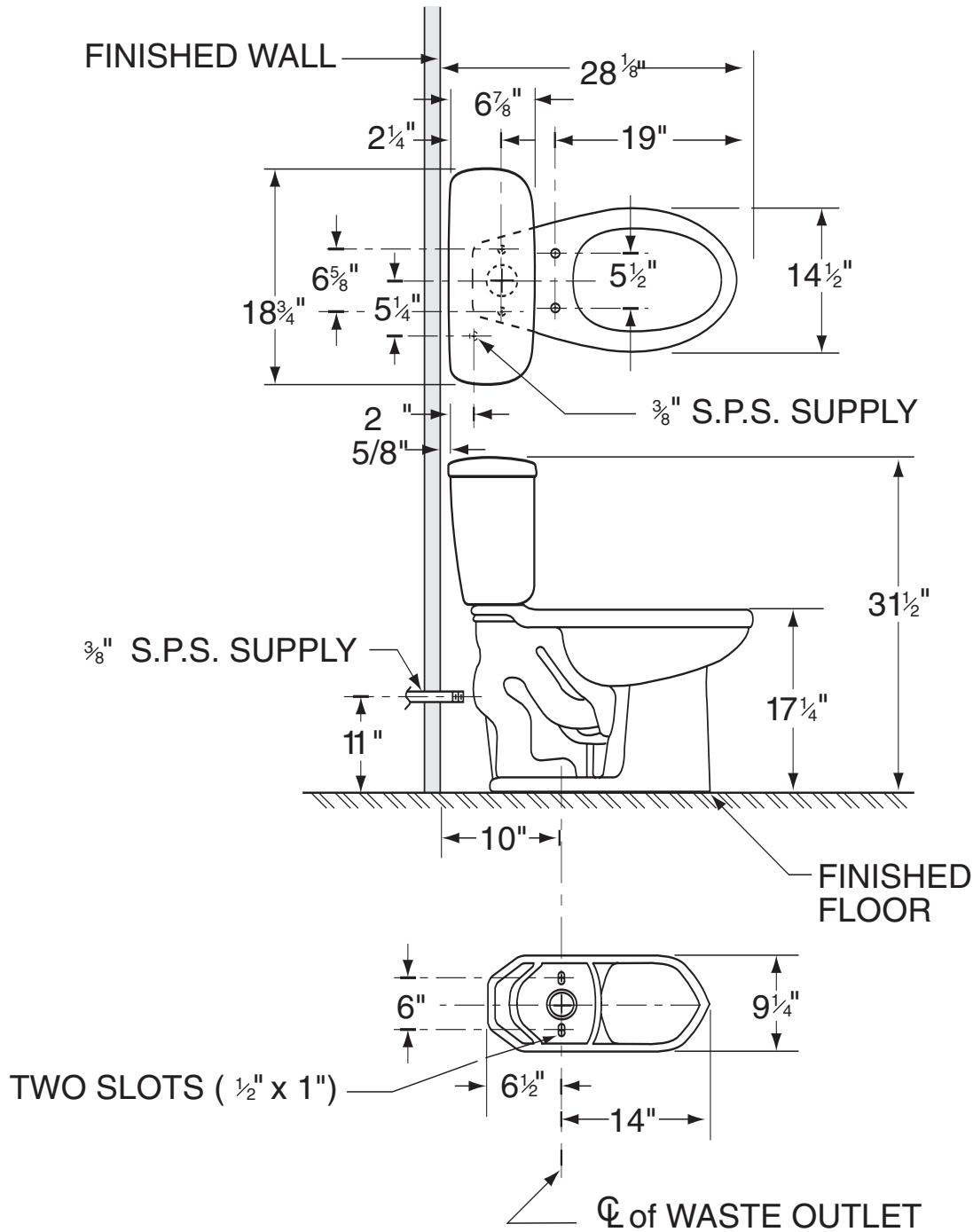


# GERBER®

YOUR BUSINESS. YOUR BRAND.

www.gerberonline.com

Job Name	
Date	
Model Specified	
Quantity	
Customer	
Contractor	
Architect/engineer	



**NOTES:**  
All dimensions are in inches.  
Illustrations may not be drawn to scale.

**IMPORTANT:**  
Dimensions of fixtures are nominal and may vary within the range of tolerances established by ASME Standard A 112.19.2.  
**THIS FIXTURE QUALIFIES ACCORDING TO ASME TEST PROCEDURES AS A LOW CONSUMPTION WATER CLOSET WITH AN AVERAGE CONSUMPTION OF 1.6 gpf (6 Lpf) OR LESS.**