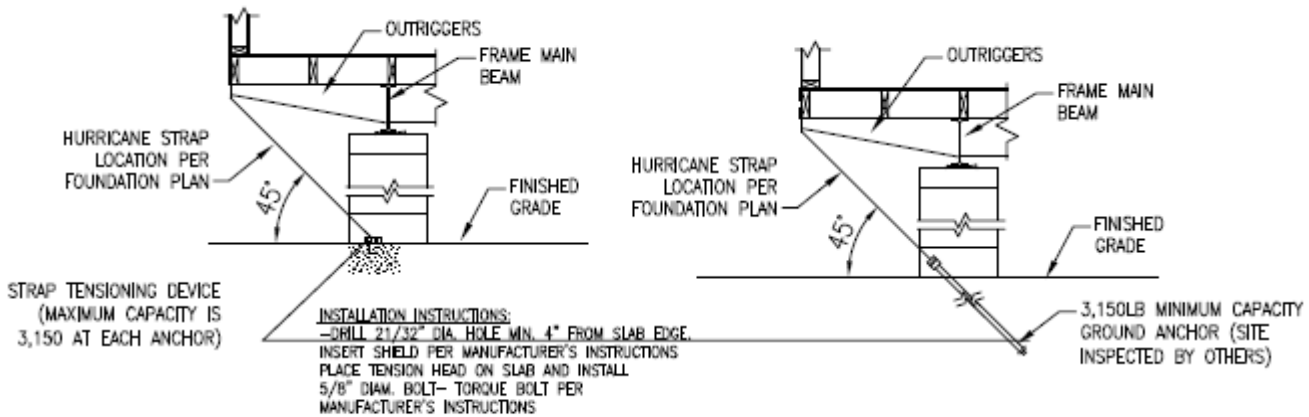
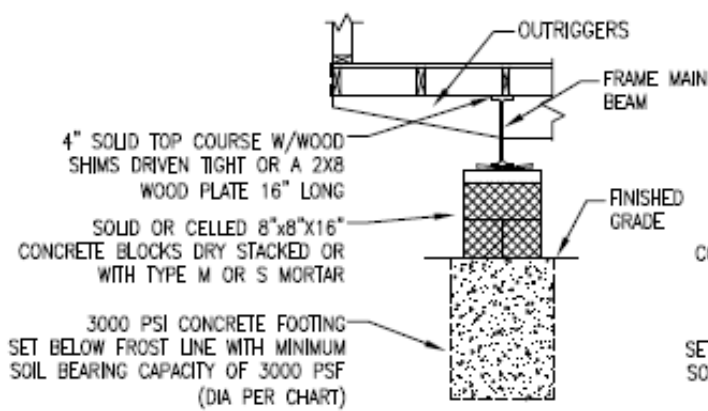


Pier – Footer – Anchor – Diagram for Outrigger Frame

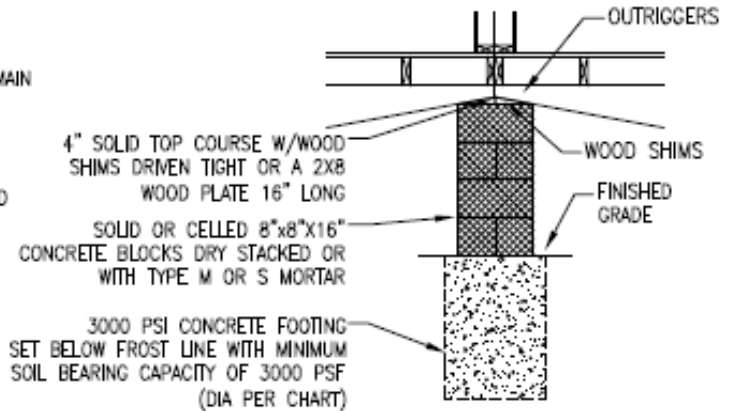


CONCRETE SLAB ANCHORING DETAIL  
 (AT HURRICANE STRAP LOCATIONS)  
 Scale: NTS

SCREW TYPE ANCHORING DETAIL  
 (AT HURRICANE STRAP LOCATIONS)  
 Scale: NTS



TYPICAL OUTRIGGER  
BLOCKING DETAIL



OUTRIGGER MATELINE  
BLOCKING DETAIL