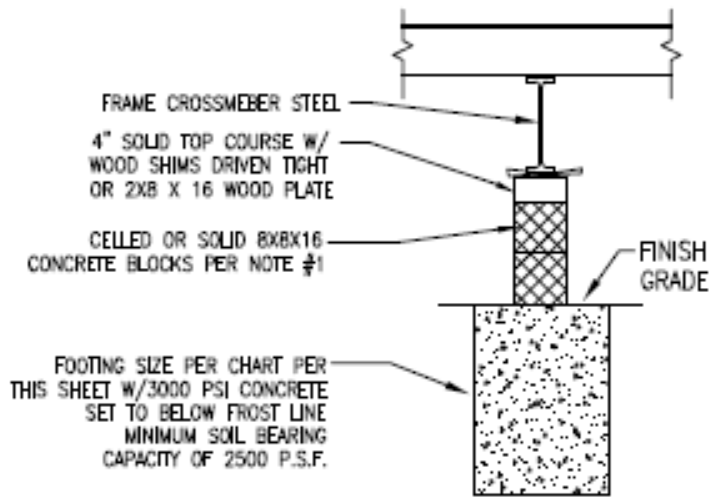
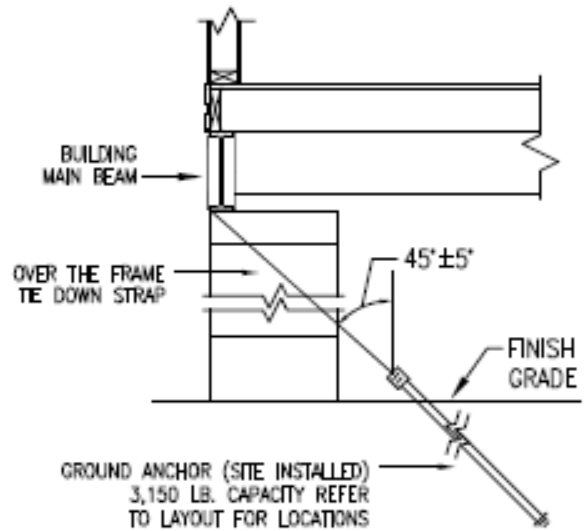


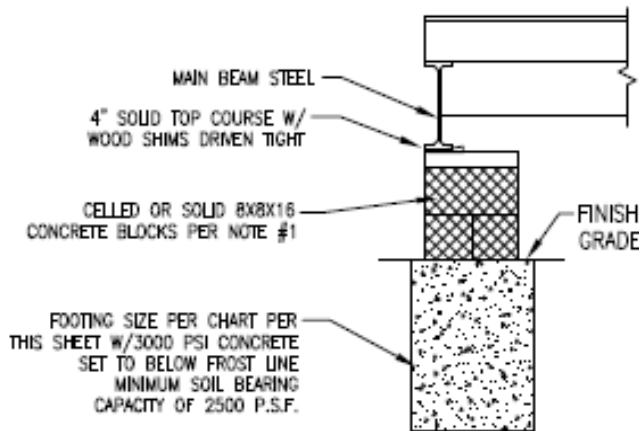
Pier – Footer – Anchor – Diagram for Perimeter Frame



CROSSMEMBER PIER LOCATIONS  
FOUNDATION DETAIL



TIE DOWN DETAIL



MAIN BEAM PIER LOCATIONS  
FOUNDATION DETAIL